

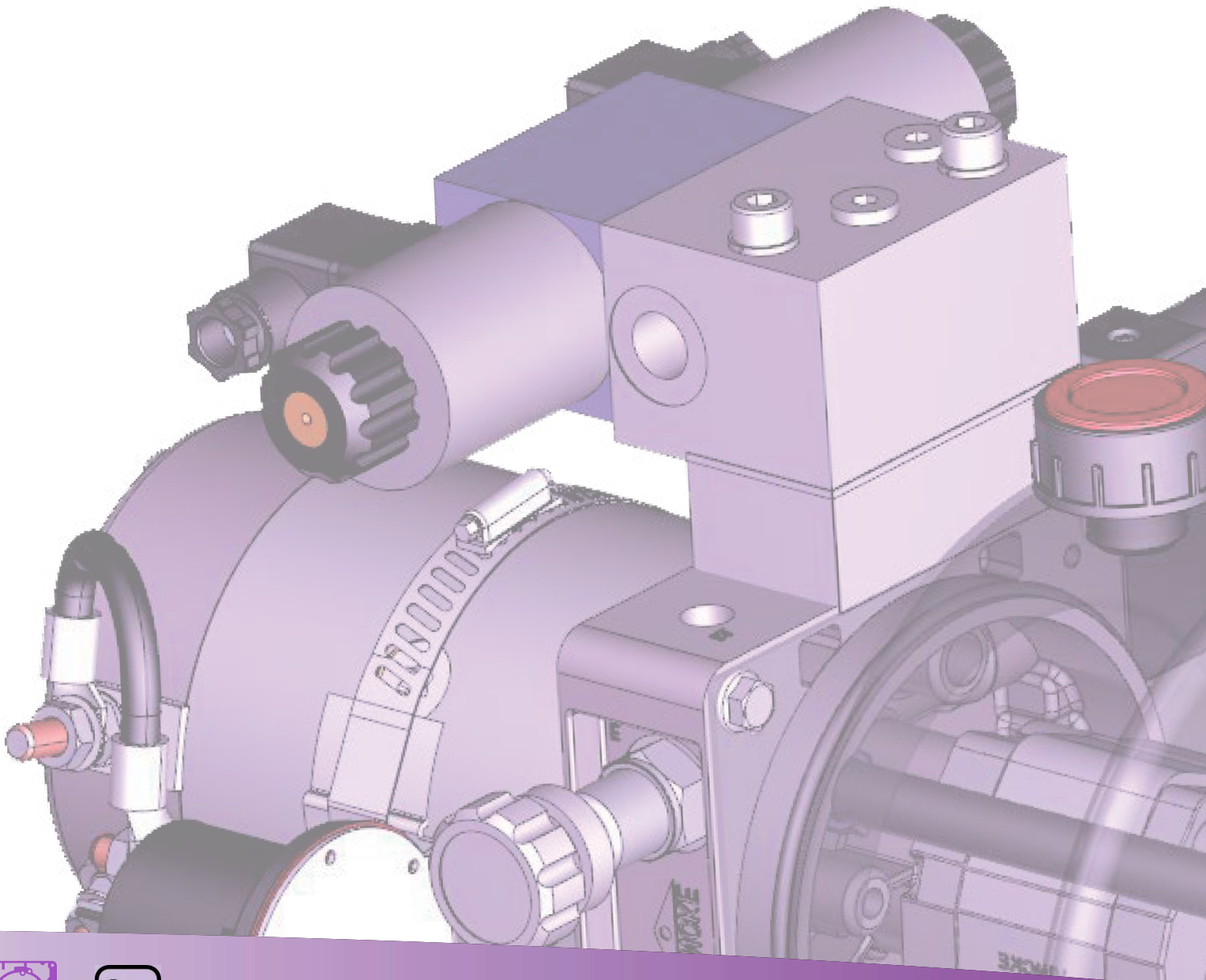


***POWER
PACK***

Index

HOW TO ORDER	4
CENTRAL MANYFOLD KO, K1	8
GEAR PUMP	12
TANKS	20
ELECTRIC MOTORS	27
PLUGS BODY CENTRAL GROUPS K0, K1	32
CHECK VALVES GROUPS K0, K1	33
RELIEF VALVES GROUPS K0, K1	34
FLOW REGULATOR GROUPS K0, K1	35
PILOTED VALVE 3/4" UNF	39
MANUAL VALVES	40
SOLENOIDS 2/2	41
COIL GROUPS K0, K1	46
FILTERS GROUPS K0, K1	47
COUPLINGS	49
BLOCKS	60
NECK FOR TANKS	64
FIXING SUPPORT GROUPS K0 K1	65
VALVE SOFT-START GROUP K1	66
REMOTE CONTROL	67
RUBBER FITTING	70

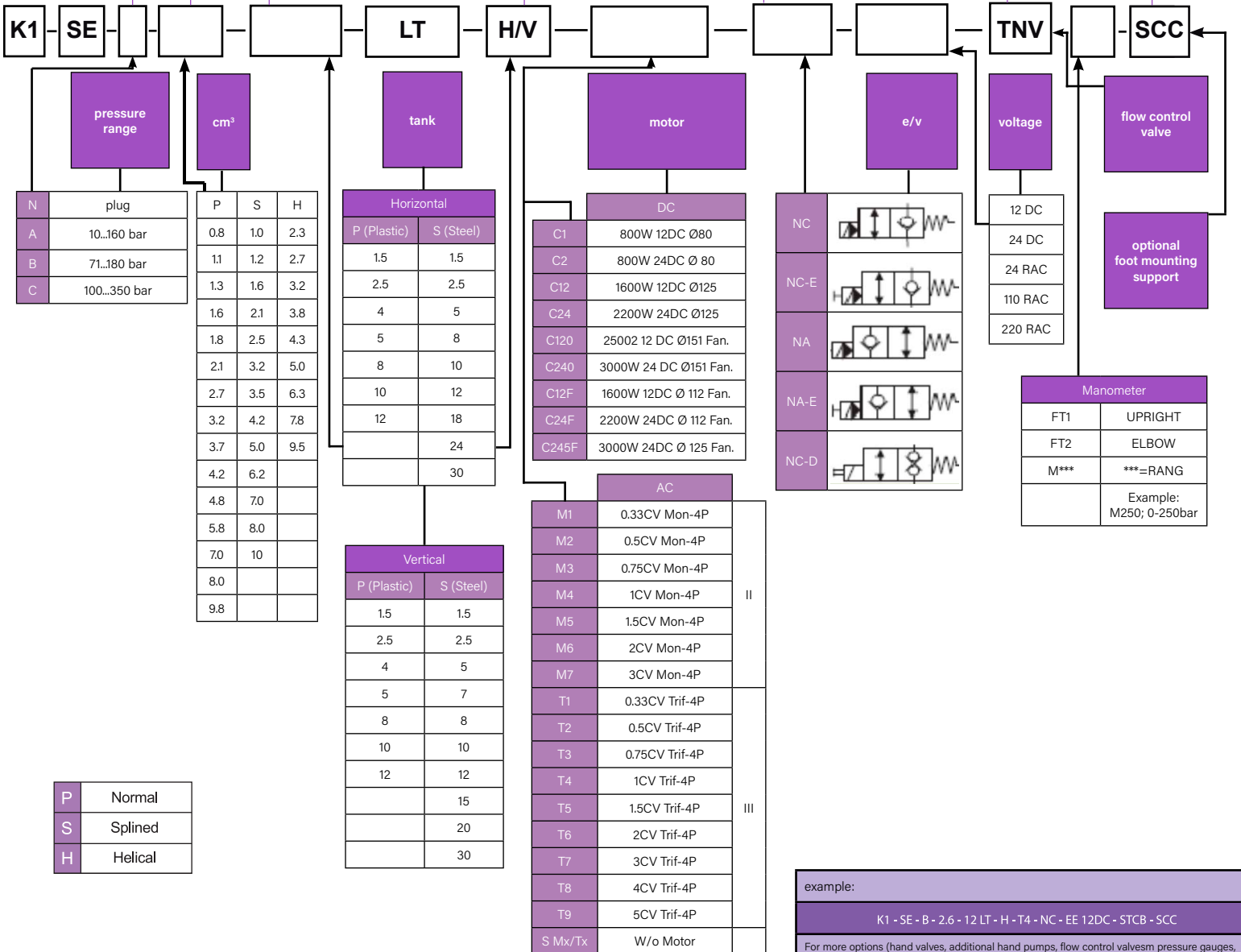
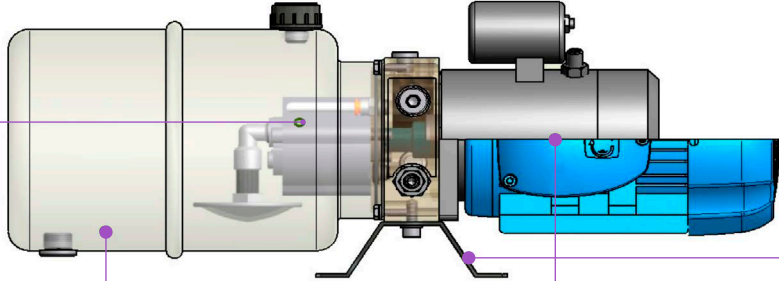
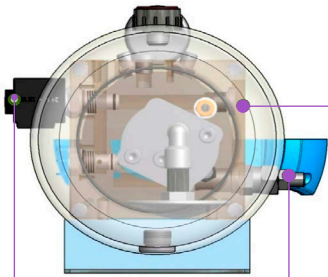




HOW TO ORDER

POWER UNITS

SINGLE ACTION K1



K1 - **SE**

pressure range	
N	plug
A	10...160 bar
B	71...180 bar
C	100...350 bar

cm ³			
P	S	H	
0.8	1.0	2.3	
1.1	1.2	2.7	
1.3	1.6	3.2	
1.6	2.1	3.8	
1.8	2.5	4.3	
2.1	3.2	5.0	
2.7	3.5	6.3	
3.2	4.2	7.8	
3.7	5.0	9.5	
4.2	6.2		
4.8	7.0		
5.8	8.0		
7.0	10		
8.0			
9.8			

LT - **H/V**

Horizontal	
P (Plastic)	S (Steel)
1.5	1.5
2.5	2.5
4	5
5	8
8	10
10	12
12	18
	24
	30

Vertical	
P (Plastic)	S (Steel)
1.5	1.5
2.5	2.5
4	5
5	7
8	8
10	10
12	12
	15
	20
	30

motor

DC	
C1	800W 12DC Ø80
C2	800W 24DC Ø 80
C12	1600W 12DC Ø125
C24	2200W 24DC Ø125
C120	25002 12 DC Ø151 Fan.
C240	3000W 24 DC Ø151 Fan.
C12F	1600W 12DC Ø 112 Fan.
C24F	2200W 24DC Ø 112 Fan.
C245F	3000W 24DC Ø 125 Fan.
AC	
M1	0.33CV Mon-4P
M2	0.5CV Mon-4P
M3	0.75CV Mon-4P
M4	1CV Mon-4P
M5	1.5CV Mon-4P
M6	2CV Mon-4P
M7	3CV Mon-4P
T1	0.33CV Trif-4P
T2	0.5CV Trif-4P
T3	0.75CV Trif-4P
T4	1CV Trif-4P
T5	1.5CV Trif-4P
T6	2CV Trif-4P
T7	3CV Trif-4P
T8	4CV Trif-4P
T9	5CV Trif-4P
S Mx/Tx	W/o Motor

e/v

NC	
NC-E	
NA	
NA-E	
NC-D	

TNV - **SCC**

voltage	
12 DC	
24 DC	
24 RAC	
110 RAC	
220 RAC	
flow control valve	
	optional foot mounting support

Manometer

FT1	UPRIGHT
FT2	ELBOW
M***	***=RANG
	Example: M250; 0-250bar

P	Normal
S	Splined
H	Helical

example:

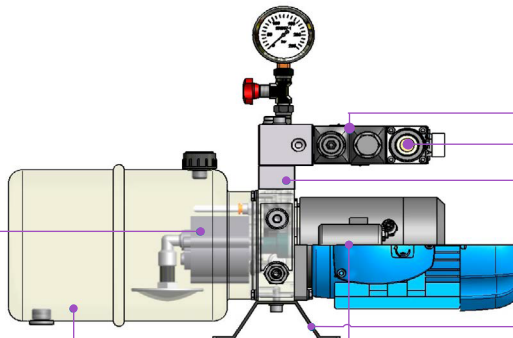
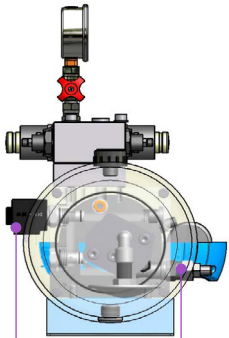
K1 - SE - B - 2.6 - 12 LT - H - T4 - NC - EE 12DC - STCB - SCC

For more options (hand valves, additional hand pumps, flow control valves pressure gauges, pressure connections, pressure switches, etc.) please contact our sales department



HOW TO ORDER

POWER UNITS DOUBLE ACTION K1



pressure range

N	plug
A	10...160 bar
B	71...180 bar
C	100...350 bar

cm³

	P	S	H
0.8	1.0	2.3	
1.1	1.2	2.7	
1.3	1.6	3.2	
1.6	2.1	3.8	
1.8	2.5	4.3	
2.1	3.2	5.0	
2.7	3.5	6.3	
3.2	4.2	7.8	
3.7	5.0	9.5	
4.2	6.2		
4.8	7.0		
5.8	8.0		
7.0	10		
8.0			
9.8			

tank

Horizontal	
Plastic	Metal
1.5	1.5
2.5	2.5
4	5
5	8
8	10
10	12
12	18
	24
	30
Vertical	
Plastic	Metal
1.5	1.5
2.5	2.5
4	5
5	7
8	8
10	10
12	12
	15
	20
	30

motor

DC	
C1	800W 12 DC Ø80
C2	800W 24 DC Ø80
C12	1600W 12 DC Ø125
C24	2200W 24 DC Ø125
C120	25002 12 DC Ø151 Fan.
C240	3000W 24 DC Ø151 Fan.
C12F	1600W 12 DC Ø112 Fan.
C24F	2200W 24DC Ø112 Fan.
C245f	3000W 24DC Ø125 Fan.
AC	
M1	0.33CV Mon-4P
M2	0.5CV Mon-4P
M3	0.75CV Mon-4P
M4	1CV Mon-4P
M5	1.5CV Mon-4P
M6	2CV Mon-4P
M7	3CV Mon-4P
T1	0.33CV Trif-4P
T2	0.5CV Trif-4P
T3	0.75CV Trif-4P
T4	1CV Trif-4P
T5	1.5CV Trif-4P
T6	2CV Trif-4P
T7	3CV Trif-4P
T8	4CV Trif-4P
T9	5CV Trif-4P
S Mx/Tx	W/o Motor

e/v cartridge

NA	
NA-E	

voltage

12 DC
24 DC
24 RAC
110 RAC
220 RAC

subplate

PT	P-T
1	3004
2	90°

NG-6 cetop valves

D	
G	
E	
H	
J	
HA	
X	*OPTION
FW	
FA	
FB	
PW	
PA	
PB	
LW	
LA	
LB	

P	Normal
S	Splined
H	Helical

monophase

three-phase

Manometer

FT1	UPRIGHT
FT2	ELBOW
M***	***=RANG
Example: M250; 0-250bar	

example:

K1 - DE - B - 2.6 - 12 LT - H - T6 - NA-E 12DC - 1 - E - FA - SCC

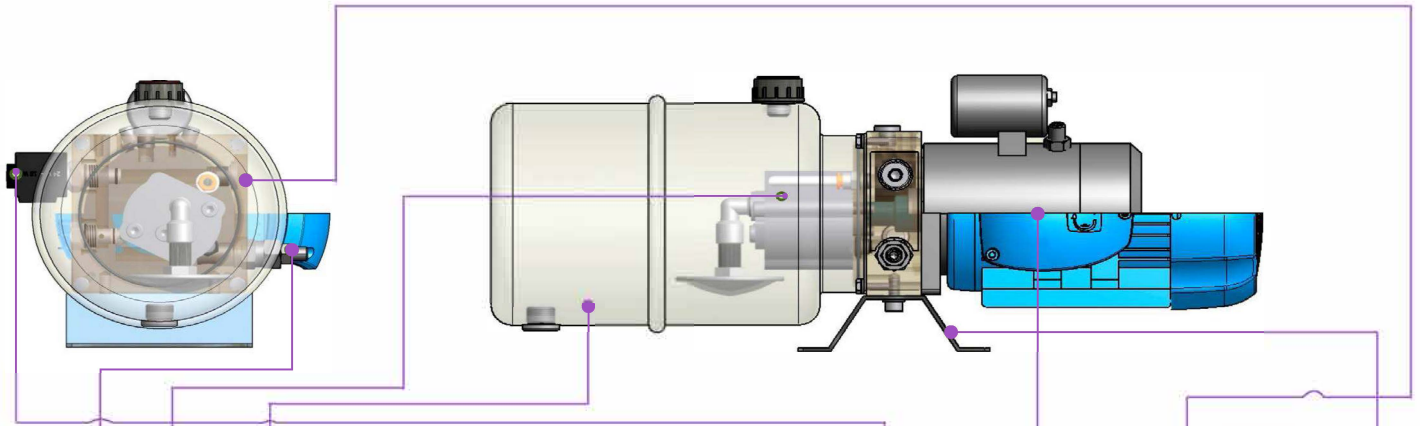
*For more options (hand valves, additional hand pumps, flow control valves, pressure gauges, pressure connections, pressure switches, etc.) please contact our sales department.



HOW TO ORDER

POWER UNITS

SINGLE ACTING KO



KO	SE				LT	H/V				TNV		SCC
pressure range		cm ³	tank		motor		e/v		voltage		flow control I valve	
N	plug	0.19	Horizontal		DC		NC		12 DC		optional foot mounting support	
A	10...160 bar	0.25	1	C1 800W 12 DC Ø80		NC-E		24 DC		Manometer		
B	71...180 bar	0.38	1.5	C2 800W 24 DC Ø80		NA		24 RAC		FT1 UPRIGHT		
C	100...350 bar	0.5	2.5	C12 1600W 12 DC Ø125		NA-E		110 RAC		FT2 ELBOW		
		0.65	4	C24 2200W 24 DC Ø125		NC-D		220 RAC		M*** ***=RANG		
		0.75	Vertical		C12F 1600W 12 DC Ø112 Fan.						Example: M250; 0-250bar	
		0.88	1	C24F 2200W 24 DC Ø112 Fan.								
		1.00	1.5	C245F 3000W 24 DC Ø125 Fan.								
		1.25	2.5									
		1.5	4	AC								
		1.75		M0 0.16CV Mon-4P								
		2		M05 0.25CV Mon-4P								
				M1 0.33CV Mon-4P								
				M2 0.5CV Mon-4P								
				M3 0.75CV Mon-4P								
				M4 1CV Mon-4P								
				T0 0.16CV Trif-4P								
				T05 0.16CV Trif-4P								
				T1 0.33CV Trif-4P								
				T2 0.5CV Trif-4P								
				T3 0.75CV Trif-4P								
				T4 1CV Trif-4P								
				T5 1.5CV Trif-4P								
				S Mx/Tx W/o Motor								

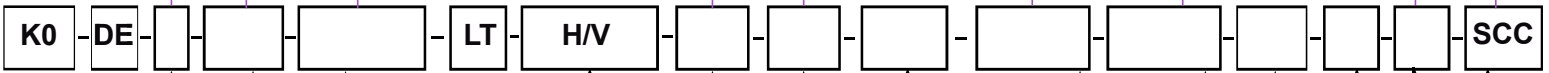
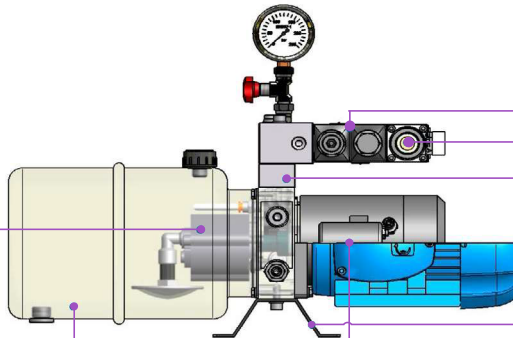
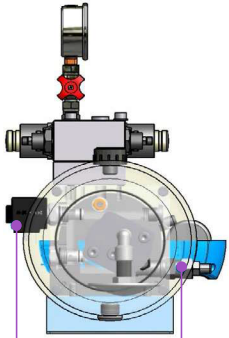
example:
K1 - SE - B - 2 - 1 LT - H - T4 - NC-E 12DC - STCB - SCC
For more options (hand valves, additional hand pumps, flow control valves, pressure gauges, pressure connections, pressure switches, etc.) please contact our sales department



HOW TO ORDER

POWER UNITS

DOUBLE ACTING KO



pressure range

N	plug
A	10...160 bar
B	71...180 bar
C	100...350 bar

cm³

0.19
0.25
0.38
0.5
0.65
0.75
0.88
1.00
1.25
1.5
1.75
2

tank

Horizontal	
1	
1.5	
2.5	
4	
Vertical	
1	
1.5	
2.5	
4	

motor

DC	
C1	800W 12 DC Ø80
C2	800W 24 DC Ø80
C12	1600W 12 DC Ø125
C24	2200W 24 DC Ø125
C12F	1600W 12 DC Ø112 Fan.
C24F	2200W 24 DC Ø112 Fan.
C245F	3000W 24 DC Ø125 Fan.

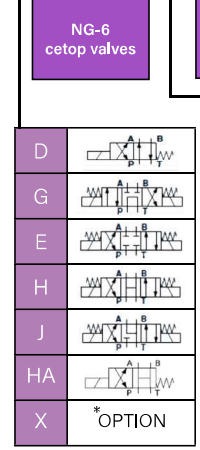
AC

M0	0.16CV Mon-4P	II
M05	0.25CV Mon-4P	
M1	0.33CV Mon-4P	
M2	0.5CV Mon-4P	
M3	0.75CV Mon-4P	
M4	1CV Mon-4P	III
T0	0.16CV Trif-4P	
T05	0.16CV Trif-4P	
T1	0.33CV Trif-4P	
T2	0.5CV Trif-4P	
T3	0.75CV Trif-4P	
T4	1CV Trif-4P	
T5	1.5CV Trif-4P	
S Mx/Tx	W/o Motor	



voltage

12 DC
24 DC
24 RAC
110 RAC
220 RAC

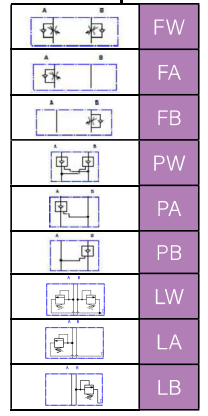


subplate

PT	P-T
2	90°

Manometer

FT1	UPRIGHT
FT2	ELBOW
M***	***=RANG
Example: M250; 0-250bar	

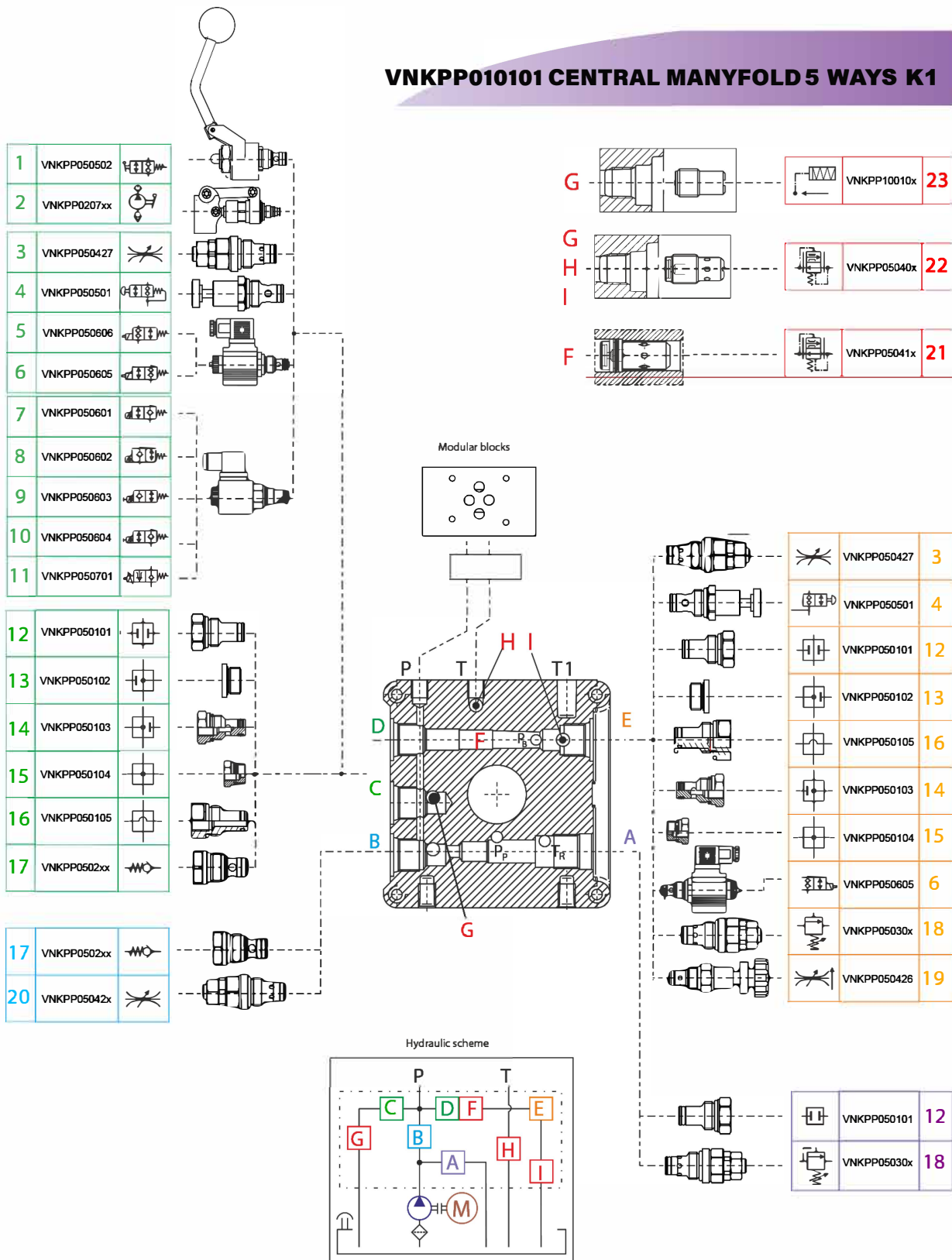


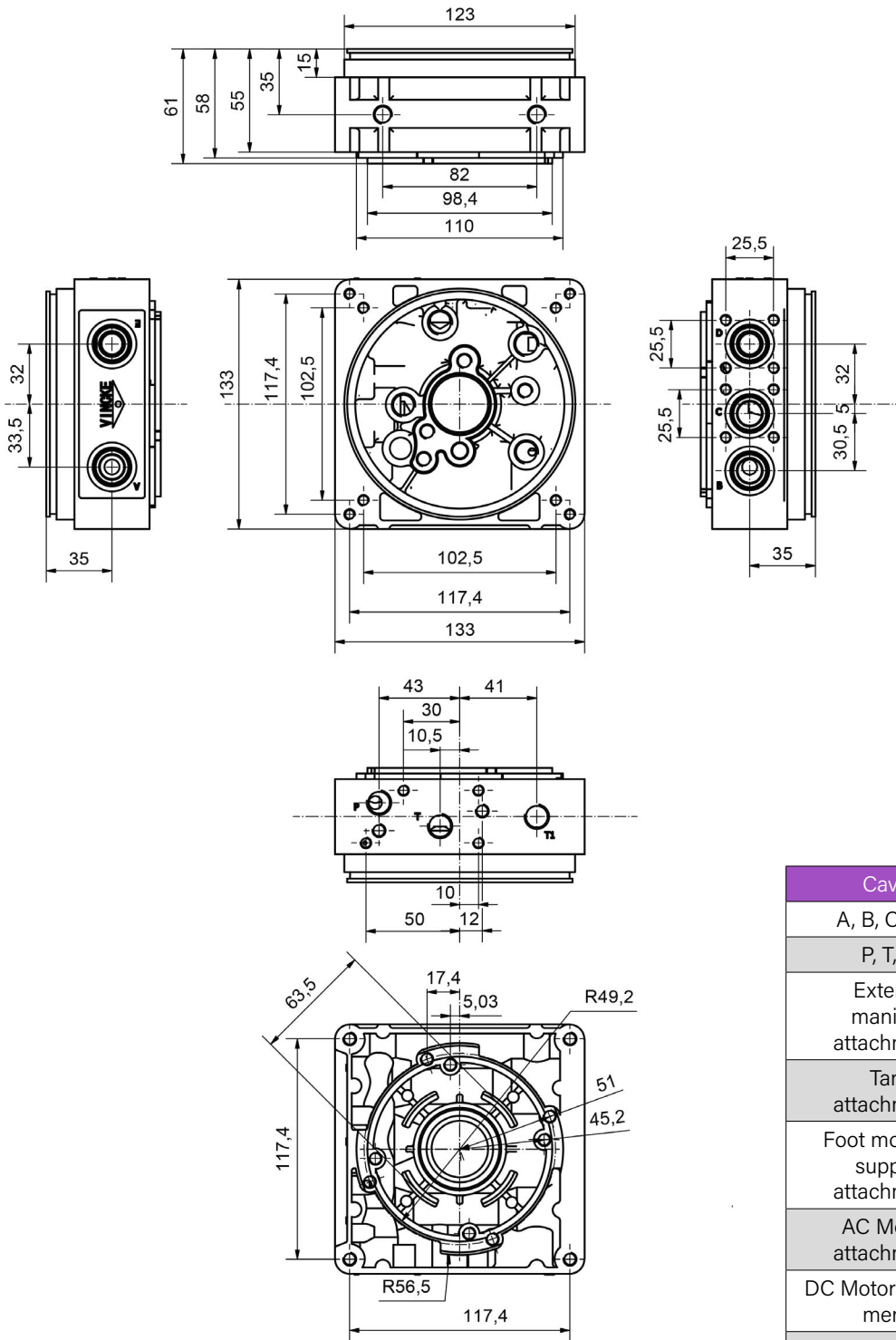
example:
K0 - DE - B - 2 - 1 LT - H - T4 - NA-E 12DC - STCB - SCC
For more options (hand valves, additional hand pumps, flow control valves, pressure gauges, pressure connections, pressure switches, etc.) please contact our sales department



CENTRAL MANYFOLD

VNKPP010101 CENTRAL MANYFOLD 5 WAYS K1

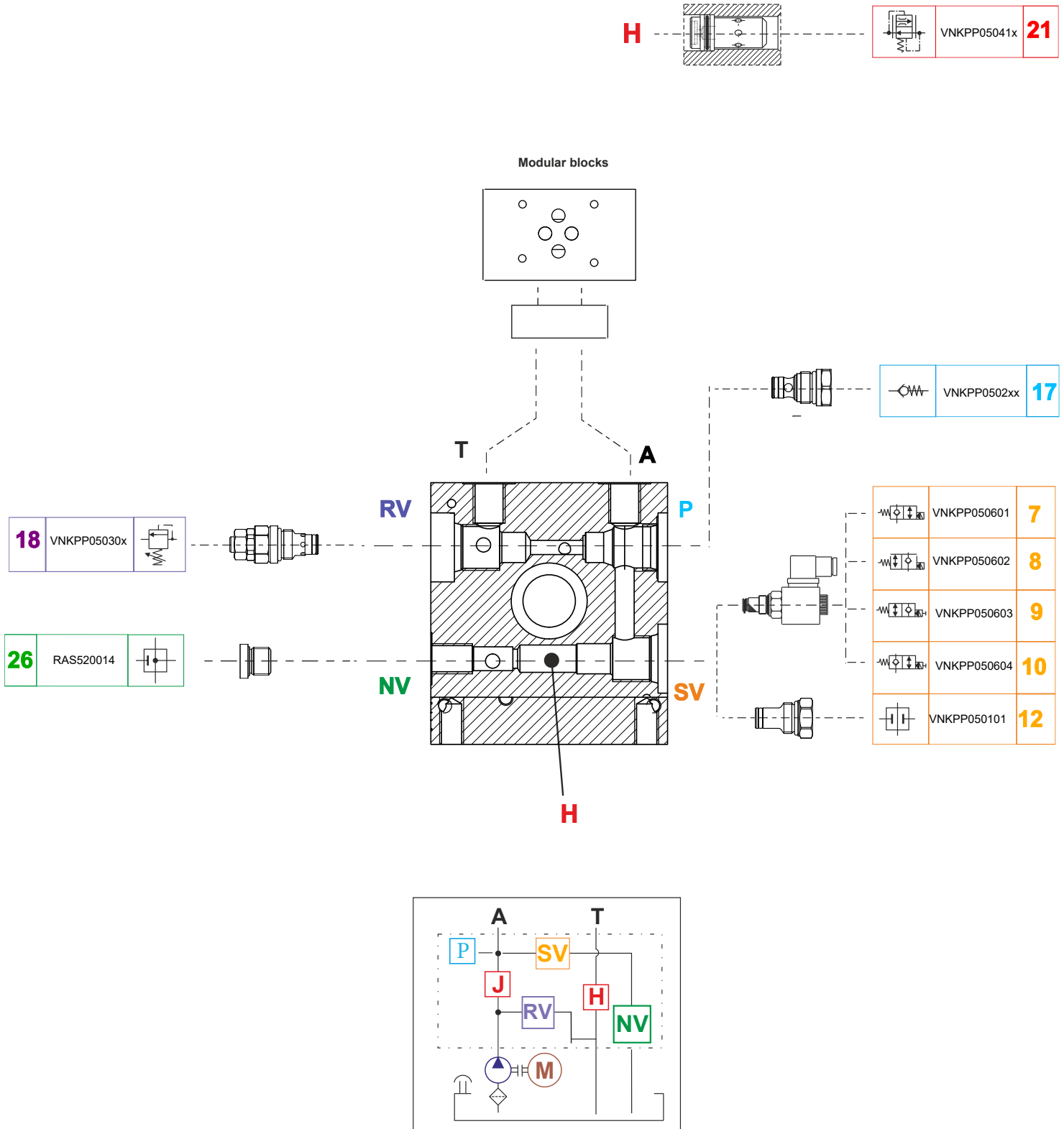


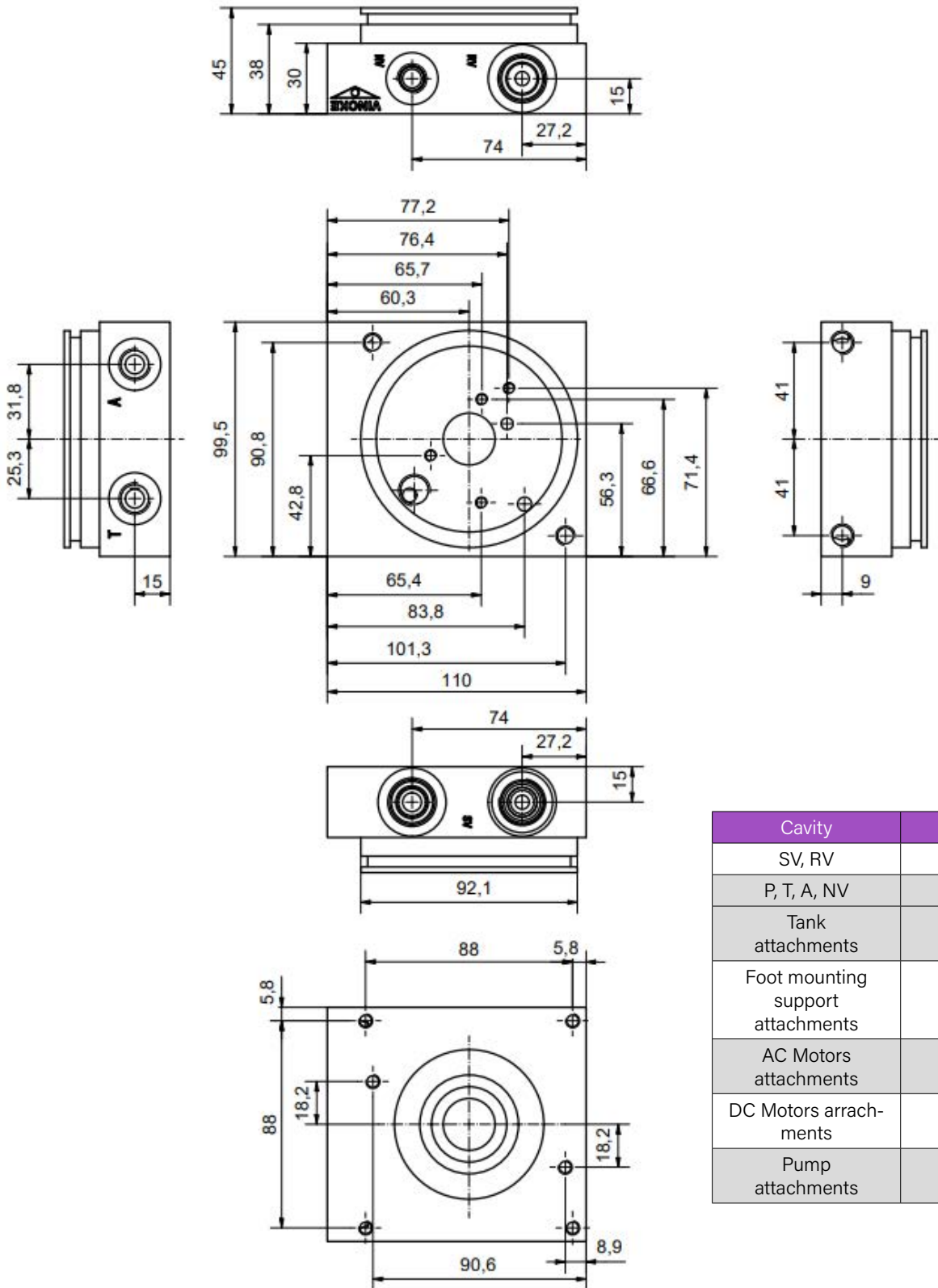


Cavity	Threads
A, B, C, D, E	3/4" UNF
P, T, T1	3/8" UNF
External manifold attachments	2 x M8 4 x M5
Tank attachments	4 x M5
Foot mounting support attachments	2 x M10
AC Motors attachments	4 x M8
DC Motors attachments	4 x M6
Pump attachments	2 x M8
Hand pump cap attachments	4 x M5



VNKPP010104 CENTRAL MANYFOLD, 2 WAYS, K0



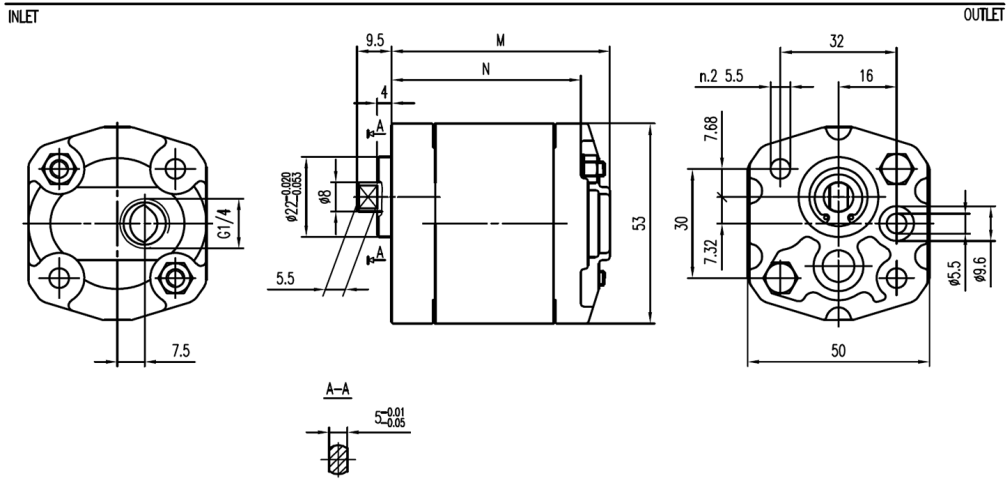


Cavity	Threads
SV, RV	3/4" UNF
P, T, A, NV	1/4" UNF
Tank attachments	2 x M8
Foot mounting support attachments	2 x M10
AC Motors attachments	4 x M6
DC Motors attachments	2 x M6
Pump attachments	2 x M5



VNKO GEAR PUMP GROUP 0

End cover: G1 / 4 thread depth 12. To mount the pump, n.2 M5 screws, with a torque wrench setting fixed at 5.4±0.5 Nm.



Type	Displacement cm ³ /rev	Max. Pressure			Max. Speed r/min	Min. Speed r/min	Dimensions	
		P1	P2	P3			M mm	N mm
VNK-0-0.19	0.19	200	230	250	7000	1000	60	58.2
VNK-0-0.25	0.25	200	230	250	7000	1000	60,5	59
VNK-0-0.38	0.38	200	230	250	7000	1000	61,5	60,3
VNK-0-0.50	0.5	200	230	250	7000	1000	62,5	61
VNK-0-0.65	0.65	200	230	250	7000	1000	63,5	54,5
VNK-0-0.75	0.75	200	230	250	7000	1000	64,5	63,5
VNK-0-0.88	0.88	200	230	250	7000	1000	65,5	56,5
VNK-0-1	1,00	200	230	250	6000	850	66,5	66
VNK-0-1.25	1.25	200	230	250	500	700	68,5	68,5
VNK-0-1.5	1.5	200	230	250	400	600	70,5	70
VNK-0-1.75	1.75	180	210	230	4000	600	72,5	73
VNK-0-2	2	160	190	210	3000	500	74,5	75,5



ORDERING CODE

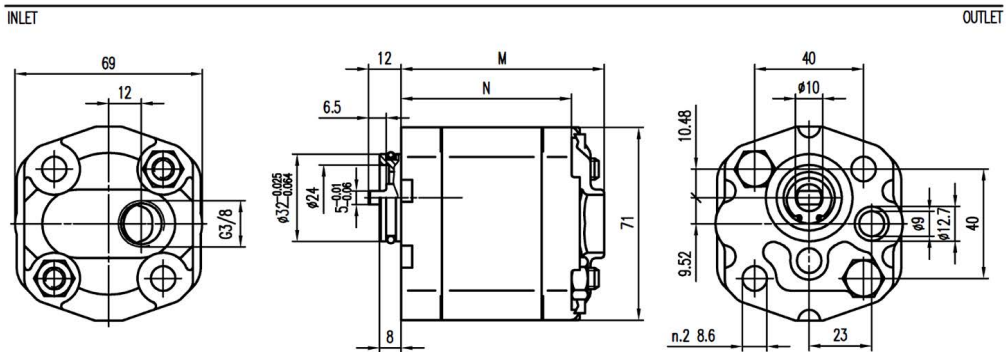
Right		Left	
Ref	cm ³	Ref	cm ³
VNKPP020101	0.19	VNKPP020201	0.19
VNKPP020102	0.25	VNKPP020202	0.25
VNKPP020103	0.38	VNKPP020203	0.38
VNKPP020104	0.50	VNKPP020204	0.50
VNKPP020105	0.65	VNKPP020205	0.65
VNKPP020106	0.75	VNKPP020206	0.75
VNKPP020107	0.88	VNKPP020207	0.88
VNKPP020108	1.00	VNKPP020208	1.00
VNKPP020109	1.25	VNKPP020209	1.25
VNKPP020110	1.50	VNKPP020210	1.50
VNKPP020111	1.75	VNKPP020211	1.75
VNKPP020112	2	VNKPP020212	2



VNK1 GEAR PUMP GROUP 1

RIGHT AND LEFT GEAR PUMP GROUP 1

End cover: G3/8 thread depth 12. To mount the pump, n.2 M8 screws, with a torque wrench setting fixed at 27±3 Nrn.



Type	Displacement cm ³ /rev	Max. Pressure			Max. Speed rW/min	Min. Speed r/min	Dimensions	
		P1	P2	P3			M mm	L mm
VNK-1-0.8	0.8	250	270	290	6000	1000	73.5	61,5
VNK-1-1.1	1.1	250	270	290	6000	1000	74	62
VNK-1-1.3	1.3	250	270	290	6000	1000	75	63
VNK-1-1.6	1.6	250	270	290	6000	1000	76	64
VNK-1-1.8	1.8	250	270	290	6000	1000	77	65
VNK-1-2.1	2.1	250	270	290	6000	1000	78	66
VNK-1-2.7	2.7	250	270	290	6000	800	80	68
VNK-1-3.2	3.2	250	270	290	5000	800	82	70
VNK-1-3.7	3.7	250	270	290	4500	800	84	72
VNK-1-4.2	4.2	250	270	290	4000	800	86	74
VNK-1-4.8	4.8	230	250	270	3500	600	88	76
VNK-1-5.8	5.8	230	250	270	3000	600	92	80
VNK-1-5.8	7	210	230	250	2500	600	96	84
VNK-1-8.0	8	180	200	230	2100	600	100	88
VNK-1-9.8	9.8	150	170	190	2100	600	104	92

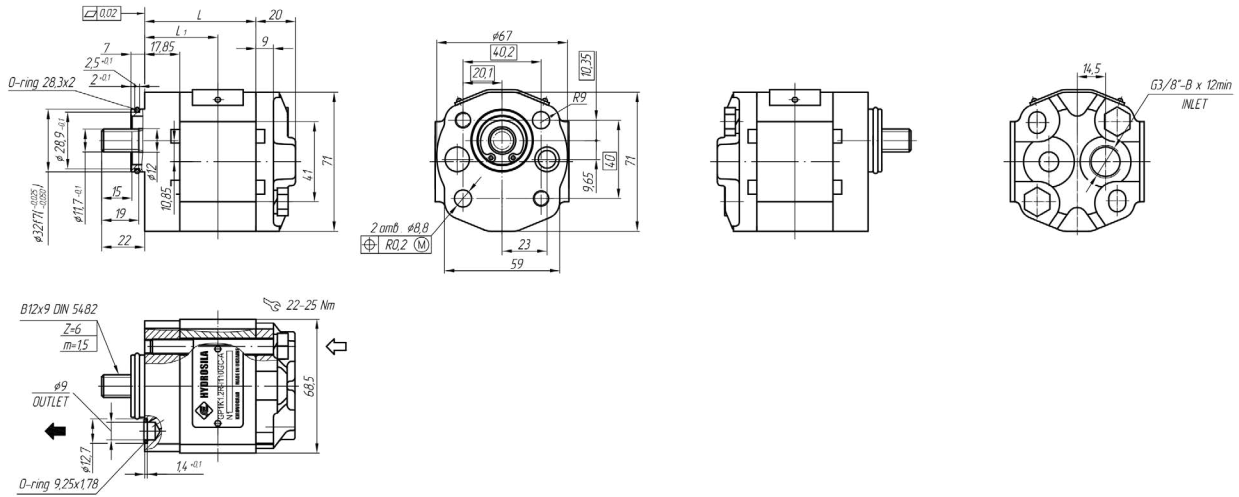
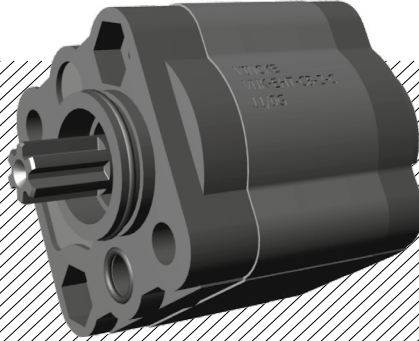


ORDERING CODE

Right		Left	
Ref	cm ³	Ref	cm ³
VNKPP020301	0.8	VNKPP020401	0.8
VNKPP020302	1.1	VNKPP020402	1.1
VNKPP020303	1.3	VNKPP020403	1.3
VNKPP020304	1.6	VNKPP020404	1.6
VNKPP020305	1.8	VNKPP020405	1.8
VNKPP020306	2.1	VNKPP020406	2.1
VNKPP020307	2.7	VNKPP020407	2.7
VNKPP020308	3.2	VNKPP020408	3.2
VNKPP020309	3.7	VNKPP020409	3.7
VNKPP020310	4.2	VNKPP020410	4.2
VNKPP020311	4.8	VNKPP020411	4.8
VNKPP020312	5.8	VNKPP020412	5.8
VNKPP020313	7	VNKPP020413	7
VNKPP020314	8	VNKPP020414	8
VNKPP020315	9.8	VNKPP020401	9.8



**RIGHT GEAR PUMP
SHAFT SPLINED**



Type	Displacement cm ³ /rev	Max. Pressure		Max. Speed r/min	Min. Speed r/min	Rated Speed r/min	Dimensions	
		P1	P2				L	L ₁
VNK-1-1	1.0	250	270	4000	750	3000	55.6	36.725
VNK-1-1.2	1.2	250	270	4000	750	3000	56.2	37.075
VNK-1-1.6	1.6	250	270	4000	750	3000	57.8	37.825
VNK-1-2.1	2.1	250	270	4000	750	3000	59.65	38.75
VNK-1-2.5	2.5	250	270	4000	750	3000	61.13	39.5
VNK-1-3.2	3.2	250	270	4000	650	3000	63.75	40.8
VNK-1-3.5	3.5	240	260	3500	650	3000	64.9	41.375
VNK-1-4.2	4.2	240	260	3500	650	3000	67.5	42.675
VNK-1-5	5.0	230	250	3500	650	2400	70.5	44.175
VNK-1-6.2	6.2	220	240	3500	600	2400	75.05	46.45
VNK-1-7	7.0	210	230	3500	600	2400	78.05	47.95
VNK-1-8	8.0	170	190	3200	600	2400	81.5	49.675
VNK-1-10	10	140	160	3200	600	2400	88.9	53.375

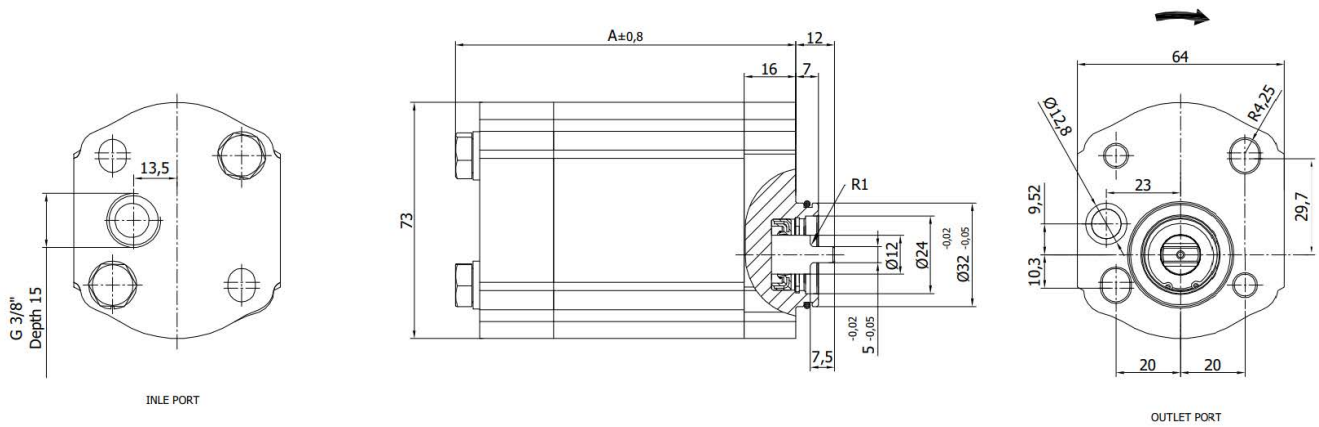
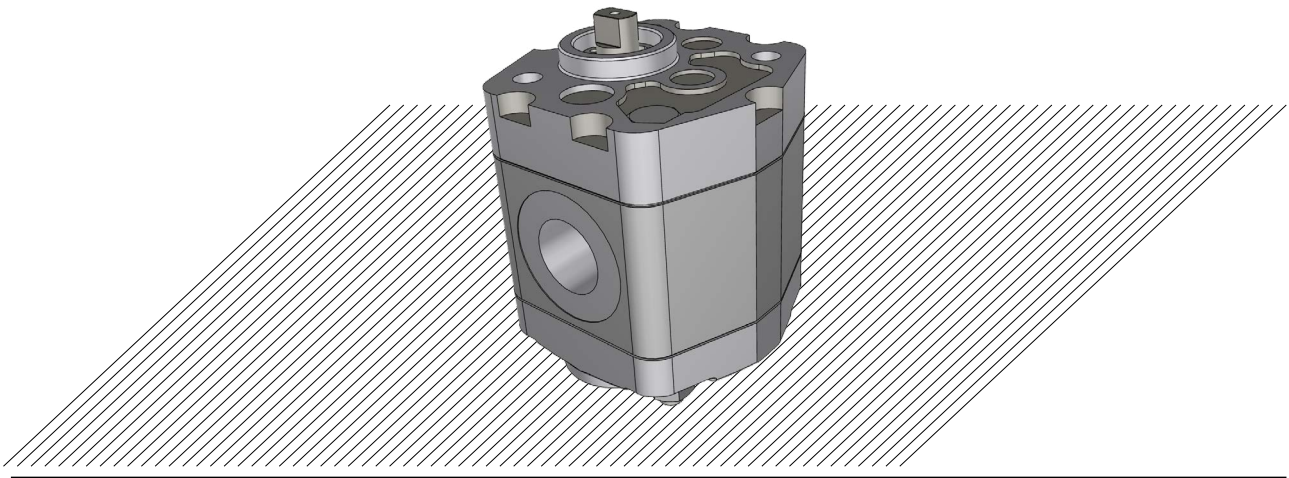


ORDERING CODE

Right			
Ref	cm ³	Ref	cm ³
VNKPP020501	1	VNKPP020401	4.2
VNKPP020502	1.2	VNKPP020402	5
VNKPP020503	1.6	VNKPP020403	6.2
VNKPP020504	2.1	VNKPP020404	7
VNKPP020505	2.5	VNKPP020405	8
VNKPP020506	3.2	VNKPP020406	10
VNKPP020507	3.5		



**RIGHT GEAR PUMP
HELICAL**



Reference	Displacement cm ³ /rev	Max. Pressure bar	Max. Speed r/min	A ± 0.8
VNKPP020602	2.3	220	4000	89.5
VNKPP020603	2.7	220	4000	91.5
VNKPP020604	3.2	220	4000	93
VNKPP020605	3.8	220	3500	95.5
VNKPP020606	4.3	220	3500	97.5
VNKPP020607	5	220	3500	100.5
VNKPP020608	6.3	220	3500	105.5
VNKPP020609	7.8	210	3500	111.5
VNKPP020610	9.5	200	3500	118.5



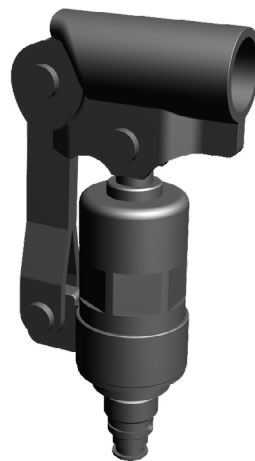
MANUAL PUMP

ASS. CODE
2



Manual Pump		
Ref	cm3	Port
VNKPP020701	2	3/4 - UNF

ASS. CODE
2

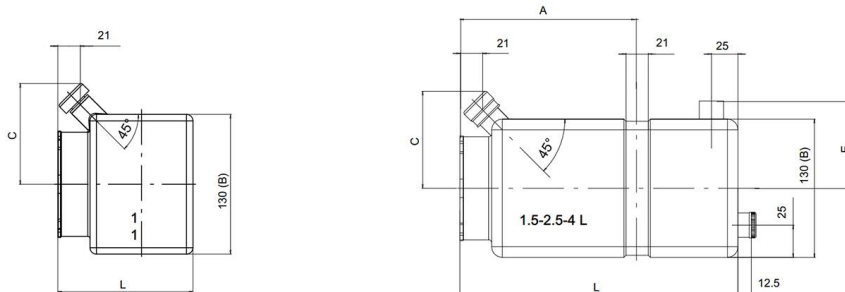


Manual Pump		
Ref	cm3	Port
VNKPP020702	7	3/4 - UNF



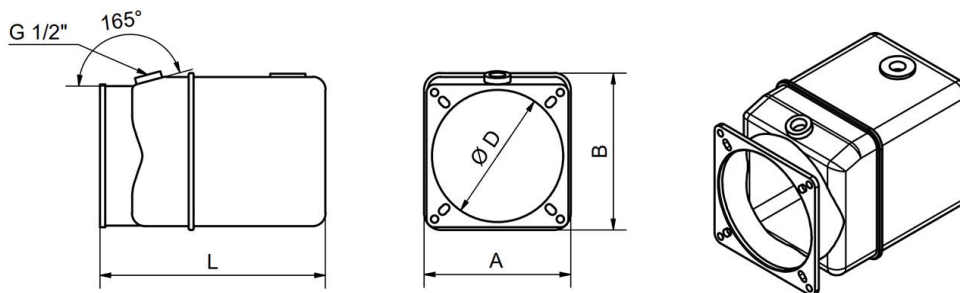
TANKS

PLASTIC TANK VERTICAL / HORIZONTAL, RECTANGULAR BASE, GROUP K0 VINCKE



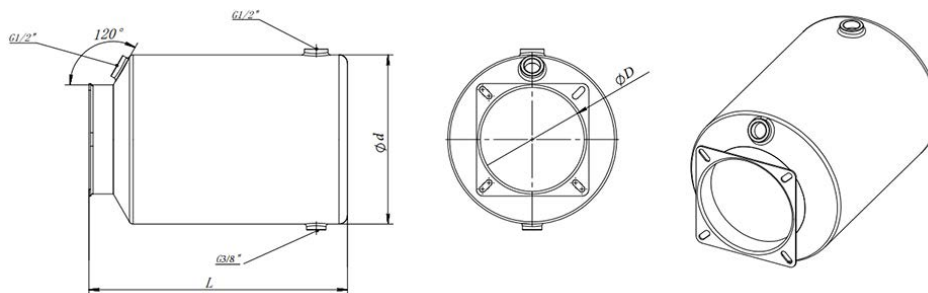
Reference	PLASTIC TANK RECTANGULAR BASE GROUP K0				
	Ø D (mm)	L (mm)	A (mm)	B (mm)	Vol. (L)
VNKPP030101	92	126	-	130	1
VNKPP030102	92	159	-	130	1.5
VNKPP030103	92	262	167	130	2.5
VNKPP030104	92	327	232	130	4

PLASTIC TANK VERTICAL / HORIZONTAL, RECTANGULAR BASE, GROUP K1 VINCKE



Reference	PLASTIC TANK RECTANGULAR BASE GROUP K1				
	Ø D (mm)	L (mm)	A (mm)	B (mm)	Vol. (L)
VNKPP030301	123	135	130	135	1.5
VNKPP030302	123	205	130	135	2.5
VNKPP030303	123	280	130	135	4
VNKPP030304	123	260	170	170	5
VNKPP030305	123	330	170	170	8
VNKPP030306	123	440	170	170	10
VNKPP030407	123	545	170	170	12

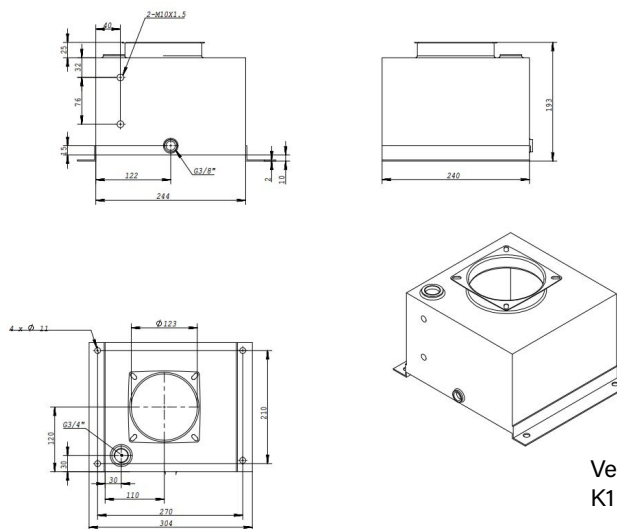


**METALIC TANK VERTICAL / HORIZONTAL,
ROUND BASE, GROUP K1 VINCKE**


Reference	METALIC TANK ROUND BASE GROUP K1			
	Ø D (mm)	L (mm)	Ø d (mm)	Vol. (L)
VNKPP030401	123	155	125	1.5
VNKPP030402	123	230	125	2.5
VNKPP030403	123	210	200	5
VNKPP030404	123	300	195	8
VNKPP030405	123	370	195	10
VNKPP030406	123	445	200	12

**METALIC TANK VERTICAL / HORIZONTAL
WITH LEVEL, SQUARE/ RECTANGULAR BODY,
GROUP K1 VINCKE**

VNKPP030501

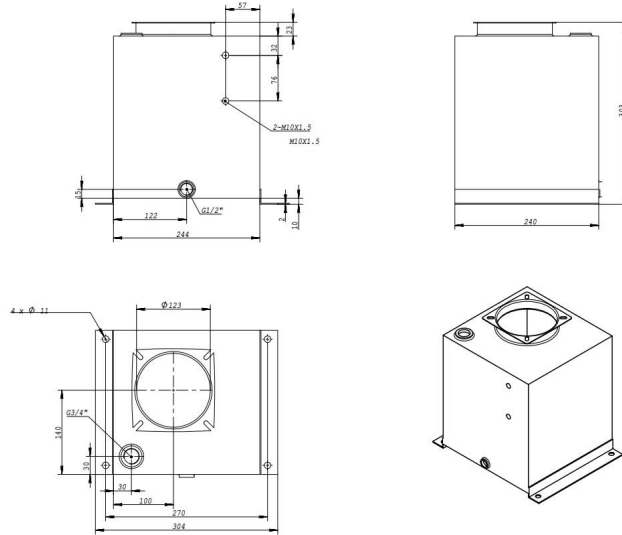


Reference	Mounting	Ø D (mm)	L (mm)	B (mm)	H (mm)	E (mm)	Vol. (L)
VNKPP030501	Vertical	123	240	240	160	10	7



METALIC TANK VERTICAL / HORIZONTAL WITH LEVEL, SQUARE/ RECTANGULAR BODY, GROUP K1 VINCKE

VNKPP030502

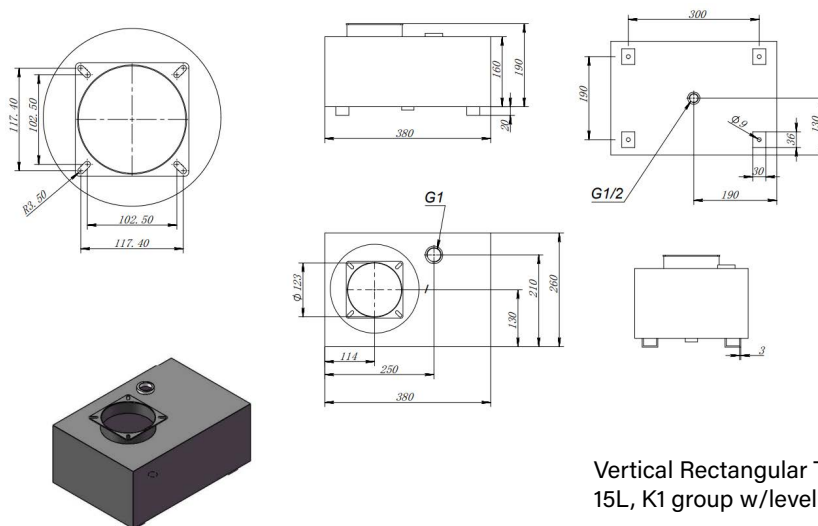


Vertical Square Tank 15L, K1 group w/level

Reference	Mounting	Ø D (mm)	L (mm)	B (mm)	H (mm)	E (mm)	Vol. (L)
VNKPP030502	Vertical	123	245	240	295	10	15

METALIC TANK VERTICAL / HORIZONTAL WITH LEVEL, SQUARE/ RECTANGULAR BODY, GROUP K1 VINCKE

VNKPP030503



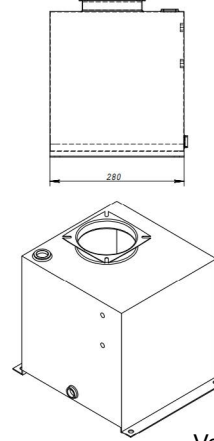
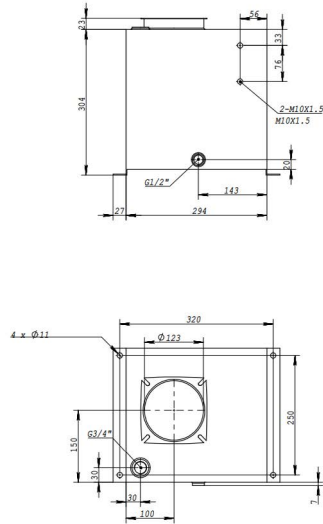
Vertical Rectangular Tank 15L, K1 group w/level

Reference	Mounting	Ø D (mm)	L (mm)	B (mm)	H (mm)	E (mm)	Vol. (L)
VNKPP030503	Vertical	123	380	260	160	20	15



**METALIC TANK VERTICAL / HORIZONTAL
WITH LEVEL, SQUARE/ RECTANGULAR BODY,
GROUP K1 VINCKE**

VNKPP030504

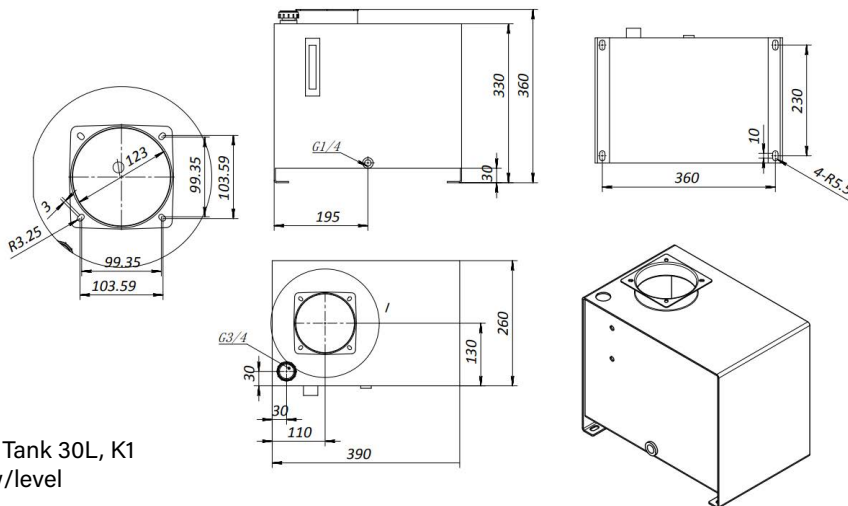


Vertical Tank 20L, K1
group w/level

Reference	Mounting	Ø D (mm)	L (mm)	B (mm)	H (mm)	E (mm)	Vol. (L)
VNKPP030504	Vertical	123	295	280	320	10	20

**METALIC TANK VERTICAL / HORIZONTAL
WITH LEVEL, SQUARE/ RECTANGULAR BODY,
GROUP K1 VINCKE**

VNKPP030505



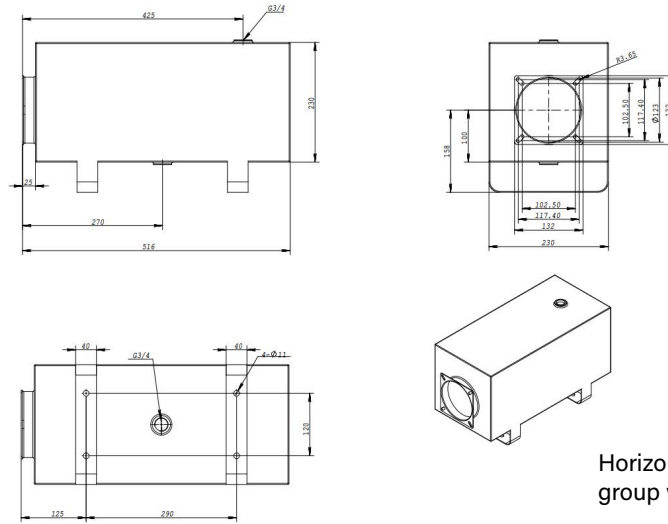
Vertical Tank 30L, K1
group w/level

Reference	Mounting	Ø D (mm)	L (mm)	B (mm)	H (mm)	E (mm)	Vol. (L)
VNKPP030505	Vertical	123	390	255	320	30	30



METALIC TANK VERTICAL / HORIZONTAL WITH LEVEL, SQUARE/ RECTANGULAR BODY, GROUP K1 VINCKE

VNKPP030506

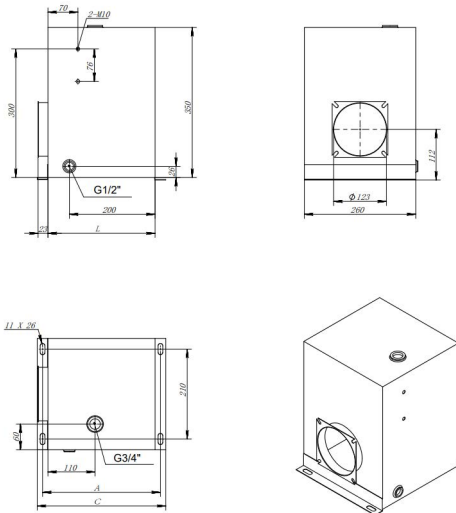


Horizontal Tank 18L, K1 group w/level

Reference	Mounting	Ø D (mm)	L (mm)	B (mm)	H (mm)	E (mm)	Vol. (L)
VNKPP030506	Horizontal	123	520	230	230	55	18

METALIC TANK VERTICAL / HORIZONTAL WITH LEVEL, SQUARE/ RECTANGULAR BODY, GROUP K1 VINCKE

VNKPP030507 & VNKPP030508



Horizontal Tank 24L & 30L, K1 group w/level

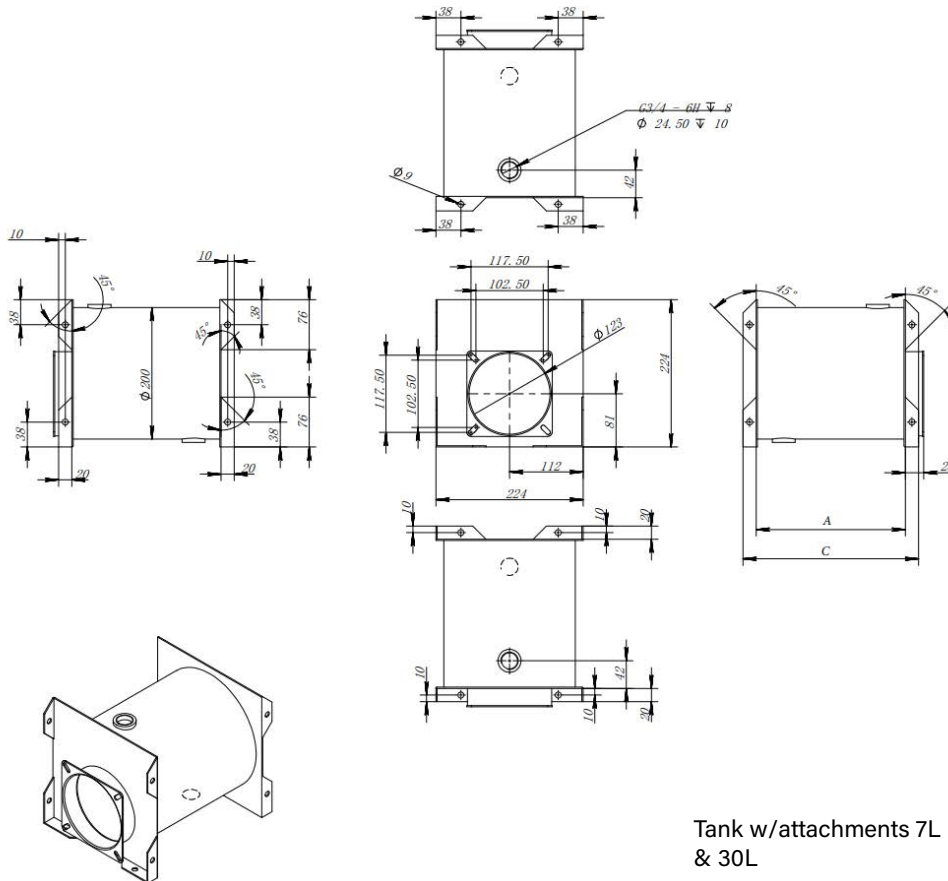
METALIC TANK

Reference	Mounting	Ø D (mm)	Lenght L (mm)	A (mm)	Base B (mm)	Holes C (mm)	High H (mm)	Vol. (L)
VNKPP030507	Horizontal	123	250	275	260	300	350	24
VNKPP030508	Horizontal	123	400	425	260	450	350	30



**METALIC TANK VERTICAL / HORIZONTAL
 WITH LEVEL, SQUARE/ RECTANGULAR BODY,
 GROUP K1 VINCKE**

VNKPP030550 & VNKPP030551



 Tank w/attachments 7L
 & 30L

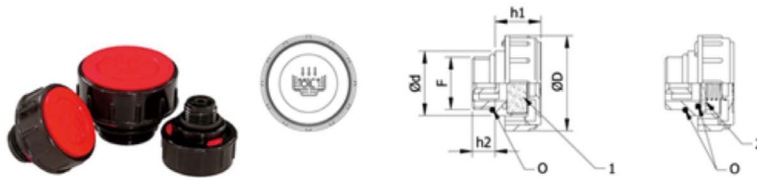
Reference	Mounting	$\varnothing D$ (mm)	A (mm)	Holes C (mm)	Vol (L)
VNKPP030550	Horizontal	123	227	267	7
VNKPP030551	Horizontal	123	324	364	10




ASSEMBLIES ACCESORIES



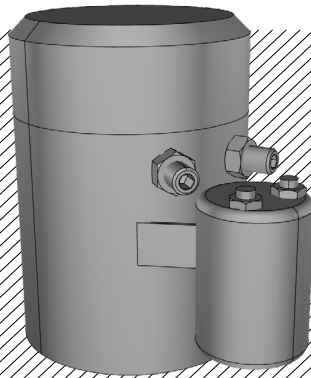
Ref	type	
VNKPP020701	O'RING K0	-
VNKPP020702	O'RING K1	-
VNKPP020703	ADAPT.	1/2"



Ref	type		D	d	h1	h2
VNKPP030604	PLASTIC PLUG	3/8"	36	23	21	11
VNKPP030605	PLASTIC PLUG	1/2"	41	28	21	12
VNKPP030606	PLASTIC PLUG	3/4"	47	33	22	12
VNKPP030607	PLASTIC PLUG	1"	52	38	25	12

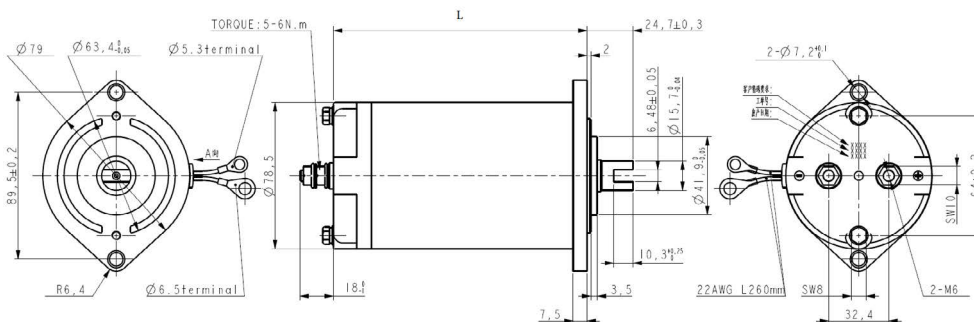


ELECTRIC MOTORS



ELECTRIC DC MOTOR WITH OR WITHOUT RELAY

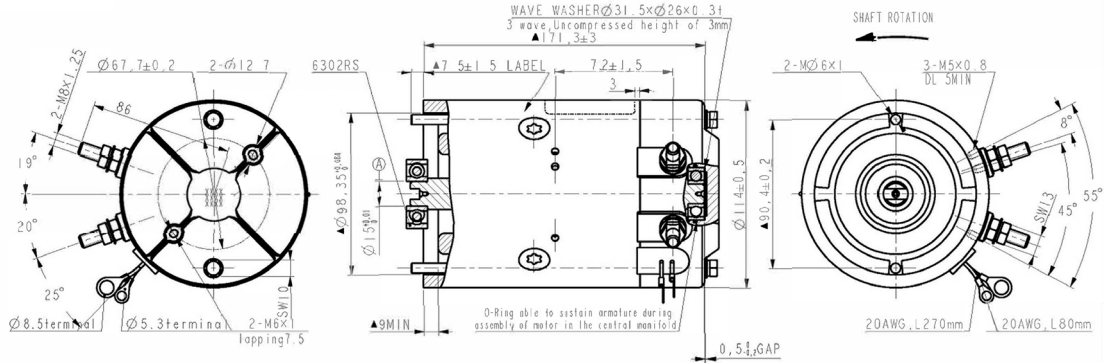
T-80



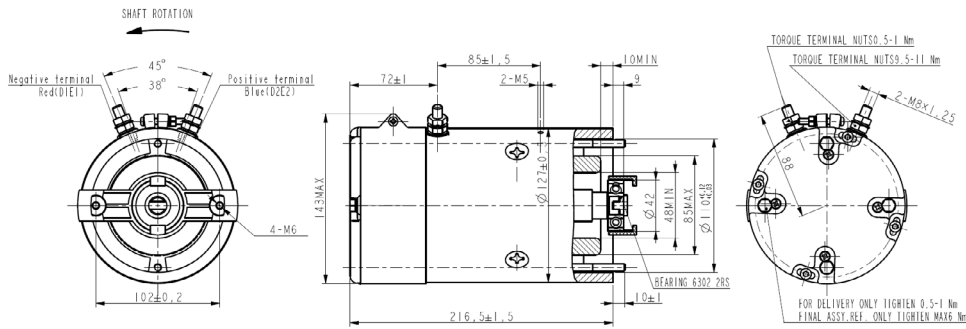
Reference	Description	Nominal Duty cycle	Nominal Speed (rpm)	Rotation	Nominal Current	L (mm)
VNKPP040100	Motor T-80 24DC 500W w/o Relay	S2 = 2,5 min S3 = 10% ED	2300	CW-CCW	150A	144
VNKPP040102	Motor T-80 12DC 500W w/ Relay	S2 = 2,5 min S3 = 10% ED	2300	CW-CCW	150A	136
VNKPP040103	Motor T-80 12DC 800W w/ Relay	S2 = 3 min S3 = 10% ED	3000	CW-CCW	150A	138
VNKPP040104	Motor T-80 24DC 800W w/ Relay	S2 = 3 min S3 = 10% ED	3400	CW-CCW	150A	136



T-112



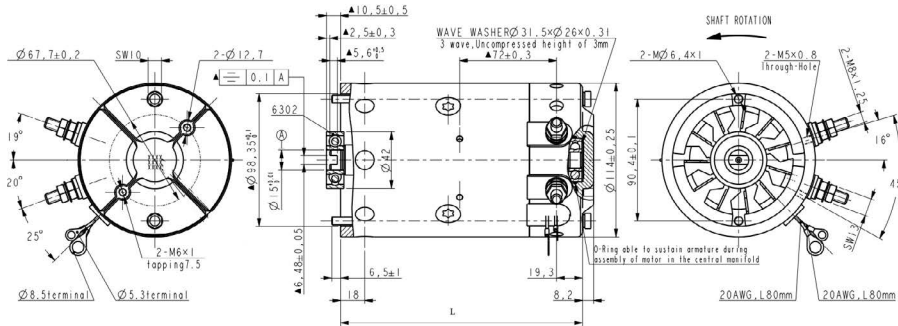
T-125



Reference	Description	Nominal Duty cycle	Nominal Speed (rpm)	Rotation	Nominal Current	L (mm)
VNKPP040105	Motor T112 12DC 1600W w/Relay	S2 = 5 min S3 = 20% ED	2800	CCW	150A	179.8
VNKPP040106	Motor T112 24DC 2200W w/Relay	S2 = 3,5 min S3 = 15% ED	2400	CCW	150A	154.3
VNKPP040107	Motor T112 24DC 2200W w/Relay	S2 = 8 min S3 = 20% ED	2900	CCW	150A	179.8
VNKPP040109	Motor T112 12DC 2100W w/Relay	S2 = 2,5 min S3 = 10% ED	2400	CCW	150A	171.3
VNKPP040110	Motor T125 24DC 3000W w/o Relay	S2 = 4 min S3 = 8% ED	2850	CCW	150A	216.5

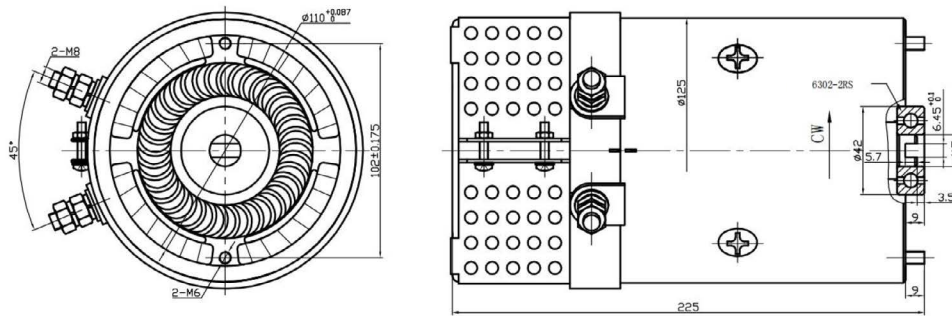


T-112 Fan



Reference	Description	Nominal Duty cycle	Nominal Speed (rpm)	Rotation	Nominal Current	L (mm)
VNKPP040105.2	Motor Fan. T112 12DC 1600W w/ Relay	S2 = 12 min S3 = 10% ED	2800	CCW	150A	179.8
VNKPP040107.1	Motor Fan. T112 24DC 2200W w/ Relay	S2 = 8min S3 = 20% ED	2900	CCW	150A	179.8

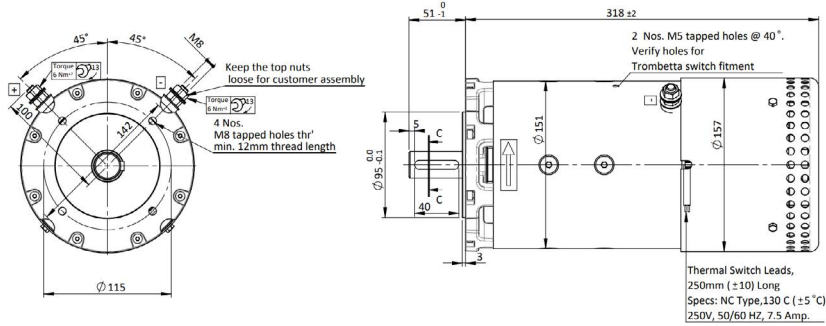
T-125 Fan



Reference	Description	Nominal Duty cycle	Nominal Speed (rpm)	Rotation	Nominal Current	L (mm)
VNKPP040113	Motor Fan. T125 24DC 3000W w/o Relay	S2 = 12 min S3 = 10% ED	2800	CCW	120A	225



T-151 Fan



Reference	Description	Nominal Duty cycle	Nominal Speed (rpm)	Rotation	Nominal Current	L (mm)
VNKPP040114	Motor Fan. T151 12DC 2500W w/o Relay	S2 = 7 min S3 = 15% ED	1700	CCW	298A	318
VNKPP040116	Motor Fan. T151 24DC 3000W w/o Relay	S2 = 15 min S3 = 20% ED	1700	CCW	190A	318



Connection Kit



Reference	Type
VNKPP040601	Kit connection T-80
VNKPP040602	Kit connection T-112/125/151

Relays for DC motor



Reference	Type	Amp. (A)	Voltage (v)
VNKPP040606	Relay 12 DC 150A	150	12
VNKPP040607	Relay 24 DC 150A	150	24
VNKPP040608	Relay 48 DC 150A	150	48
VNKPP040609	Relay 12 DC 300A	300	12
VNKPP040610	Relay 24 DC 300A	300	24

DC Motor Protection cover



Reference	Type
VNKPP040611	Cover DC motor T-112



PLUGS BODY CENTRAL

GROUPS K0, K1

Reference	Dimension	Description	Symbols	Housing	Ass. Code
VNKPP050101		It allows to cover the housing of a valve leaving the way free by 2 and closing the way to 1.		A C D E S V	12
VNKPP050102		It allows the external shutter of a housing leaving the internal ways free.		C D E	13
VNKPP050103		It allows to transform the housing of a valve in an external intake P which communicates with 2, closing the way to 1.		C D E	14
VNKPP050104		It allows the 3/4fl 16h UNF thread from a housing to a 1/4fl bsp leaving the internal ways free. (Manometer)		C D E	15
VNKPP050105		It allows to transform the housing of one valve in and external intake T which communicates with 1, leaving the way free in 2.		C D E	16



CHECK VALVES

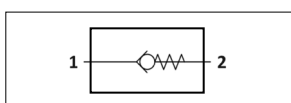
GROUPS K0, K1

VNKPP050201

ASS. CODE
17

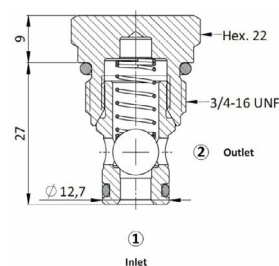


SYMBOL



MAIN FEATURES

Max pressure	250 bar
Max flow	20 l/min
Weight	0,055 kg
Cracking pressure	0,5 bar

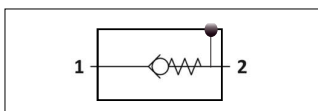


VNKPP050202

ASS. CODE
17

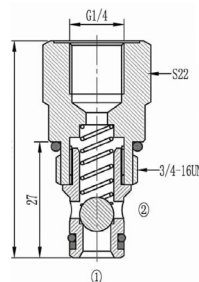


SYMBOL



MAIN FEATURES

Max pressure	250 bar
Max flow	20 l/min
Weight	0,065 kg
Cracking pressure	0,5 bar



Check Valves

Reference	P (bar)	Flow (l/min)	Weight	Checking pressure	Ass. Code
VNKPP050201	420	20	0.055	0.5	17
VNKPP050202	250	20	0.065	0.5	17



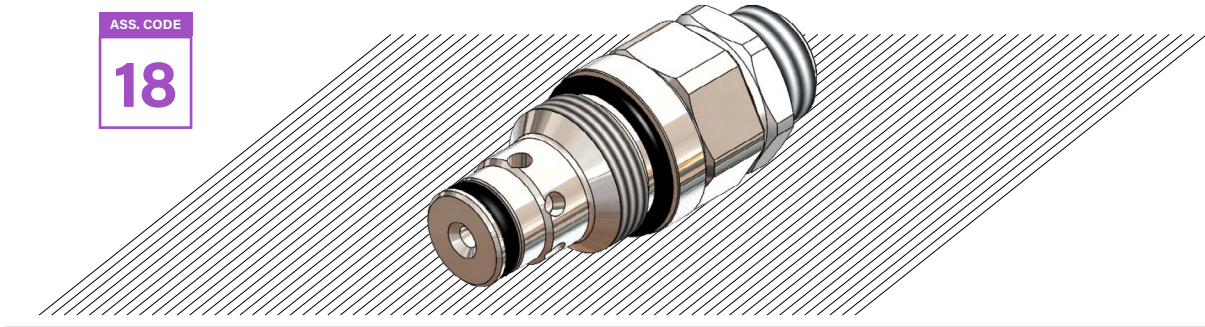
RELIEF VALVES

GROUPS K0, K1

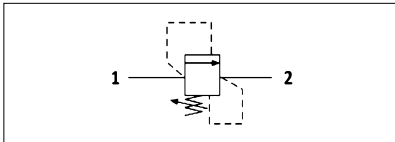
VNKPP050302/3/4

ASS. CODE

18

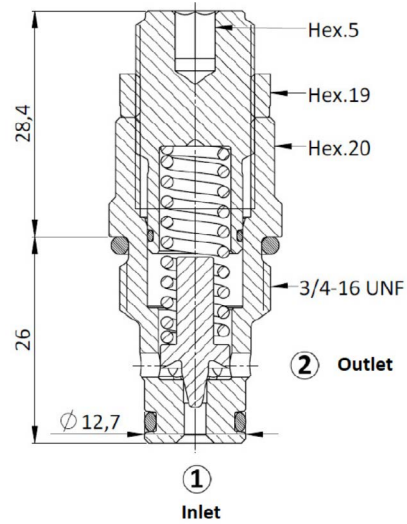


SYMBOL



MAIN FEATURES

Max pressure	420 bar
Max flow	25 l/min
Weight	0,100 kg



RELIEF VALVES GROUP K0 & K1

Reference	Working Range (bar)
VNKPP050301	5-40
VNKPP050302	10-160
VNKPP050303	71-180
VNKPP050304	100-350



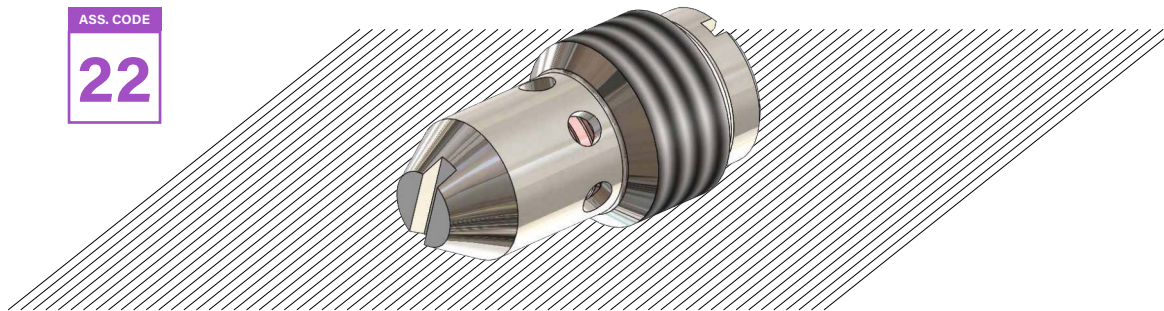
FLOW REGULATOR

GROUPS K0, K1

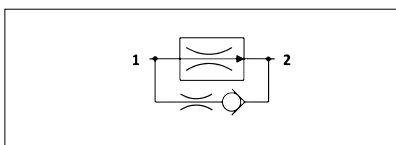
Fixed Compensated Flow Regulator Threaded

ASS. CODE

22

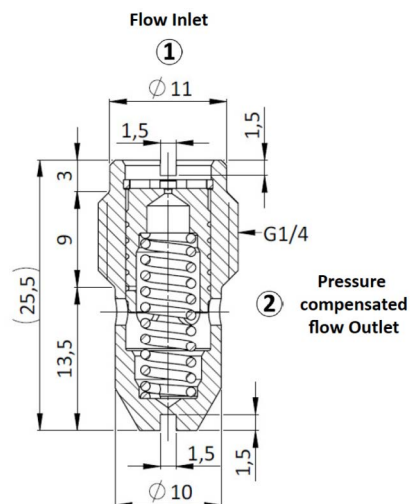


SYMBOL



MAIN FEATURES

Max pressure	250 bar
Max flow	12 l/min
Weight	0,013 kg



Compensated flow regulator

Group K0 & K1

Ref.	Q (l/min.)	Ref.	Q (l/min.)
VNKPP050401	1.2	VNKPP050405	6
VNKPP050402	3	VNKPP050406	7
VNKPP050403	4	VNKPP050407	9
VNKPP050404	5	VNKPP050408	12



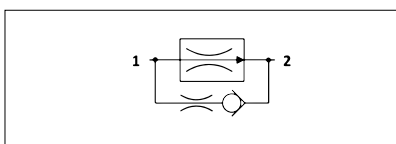
Fixed Compensated Flow Regulator Inserted

ASS. CODE

21

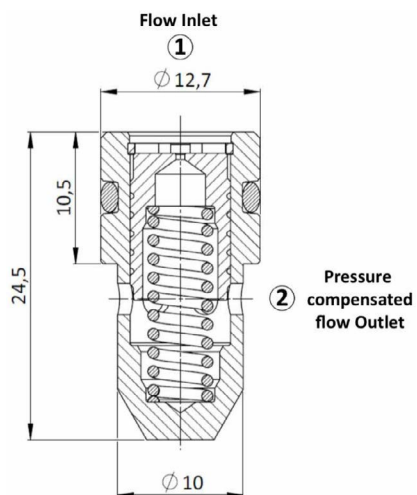


SYMBOL



MAIN FEATURES

Max pressure	250 bar
Max flow	12 l/min
Weight	0,013 kg



Compensated flow inserted

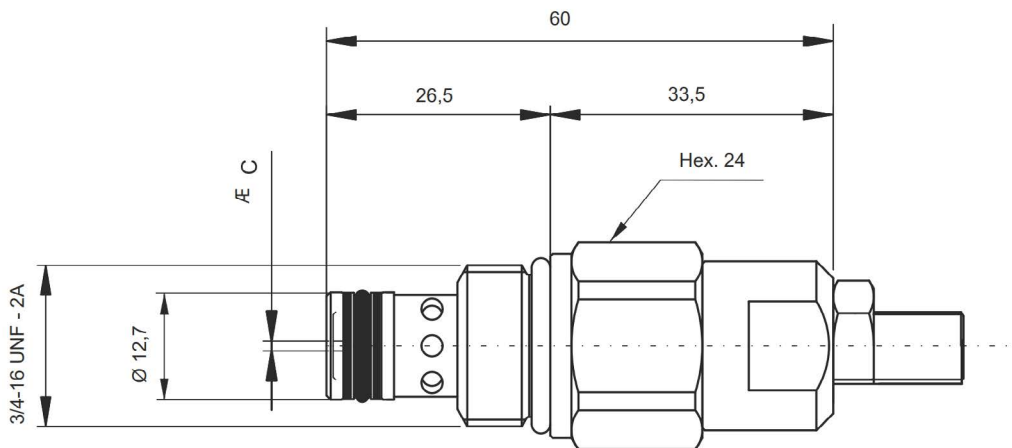
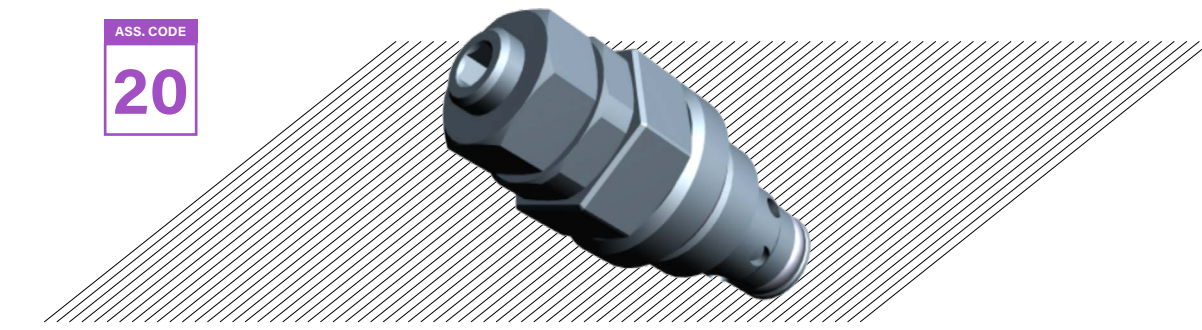
Group K0 & K1

Ref.	Q (l/min.)	Ref.	Q (l/min.)
VNKPP050411	1.2	VNKPP050415	6
VNKPP050412	2.5	VNKPP050416	7
VNKPP050413	4	VNKPP050419	9
VNKPP050414	5	VNKPP050418	12

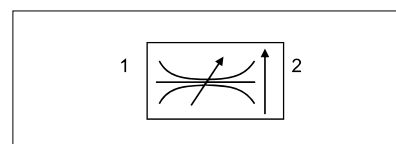


3/4-16 UNF Compensated Flow Regulator

ASS. CODE
20



SYMBOL



MAIN FEATURES

Max pressure	350 bar
Max flow	18 l/min
Weight	0,11 kg

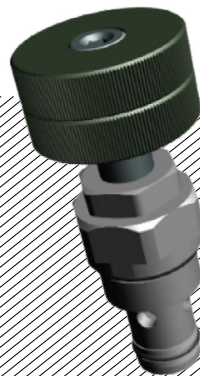
Range available		
Ref.	Æ C	Controlled flow at 100 bar ± 10% l/min
VNKPP050420	1.2	2.5 + 5.0
VNKPP050421	2.8	4.9 + 10.8
VNKPP050422	4.8	8.0 + 18.5



Flow Regulator 3/4-16 UNF

ASS. CODE
19

ASS. CODE
3

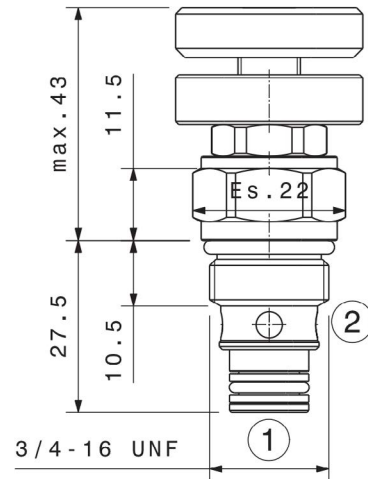


MAIN FEATURES

Max pressure	350 bar
Max flow	40 l/min
Installation torque	27-30 Nm

Adjustments

VNKPP050426	VNKPP050427
<p>Handknob and locknut</p>	<p>Leakproof hex socket screw</p>



FLOW REGULATOR 3/4 - 16 UNF

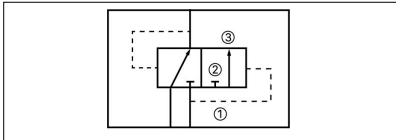
Reference	P (bar)	Flow (l/min)	Install Torque (Nm)	Handknob	Ass. Code
VNKPP050426	350	40	27-30	Yes	19
VNKPP050427	350	40	27-30	No	3



PILOTED VALVE

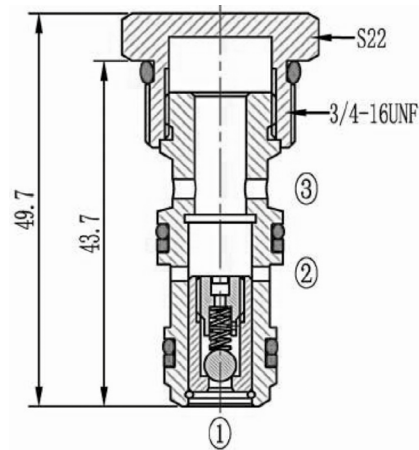
3/4" UNF

SYMBOL



MAIN FEATURES

Operating pressure	240 bar
Internal leakage	5 drops/min
Temperature	-40°C → +120°C



PILOTED VALVE 3/4" UNF

Reference	Pressure (bar)	Internal leakage (drop/min)
VNKPP050504	240	5



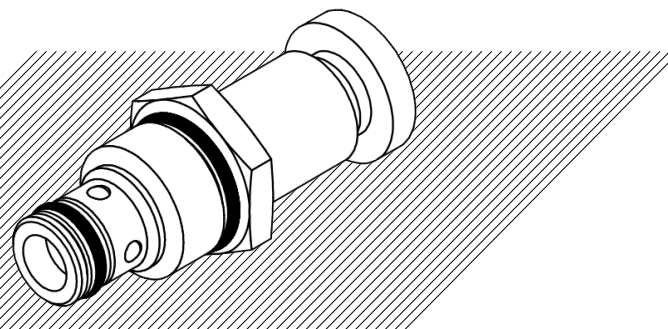
MANUAL VALVES

VNKPP050501

Manual Emergency Valves

The manual emergency valves open the passage of oil in a hydraulic circuit by a manual command (blocked flow in both directions).

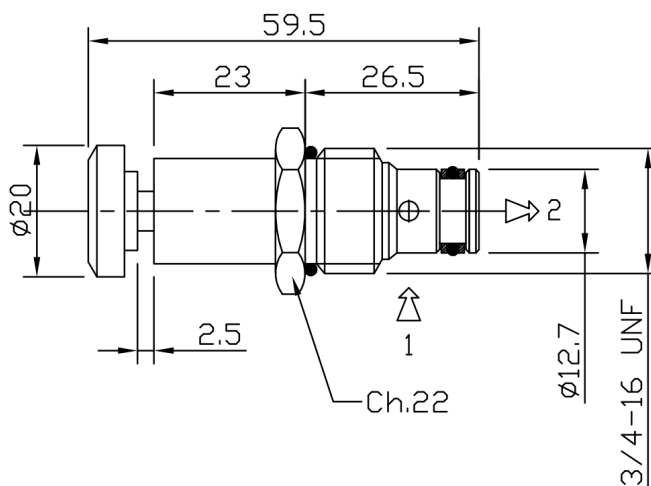
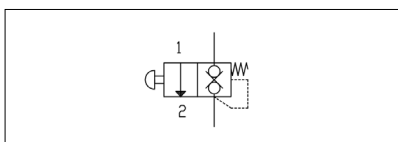
ASS. CODE
4



MAIN FEATURES

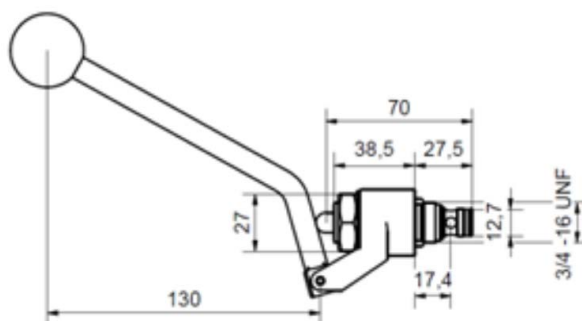
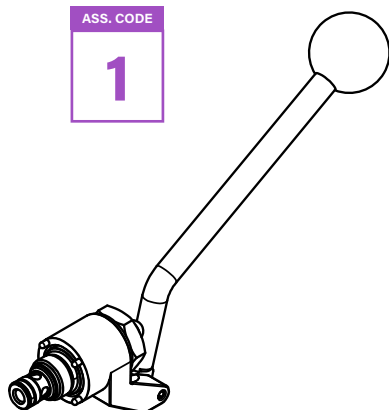
Max pressure	320 bar	
Max flow	25 l/min	1→2
Weight	0,15 kg	

SYMBOL



VNKPP050502

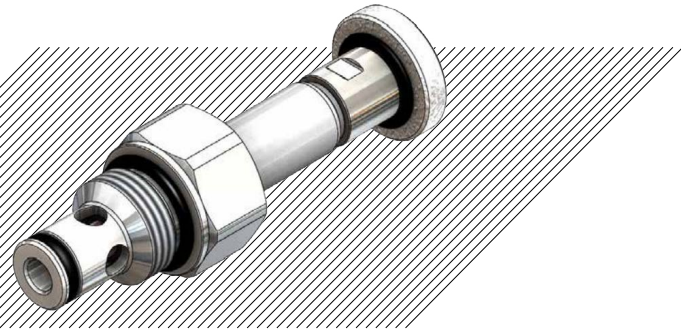
ASS. CODE
1



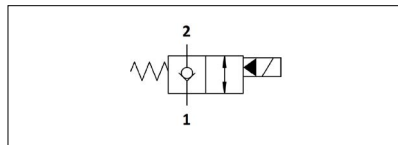
SOLENOIDS 2/2

GROUPS K0, K1

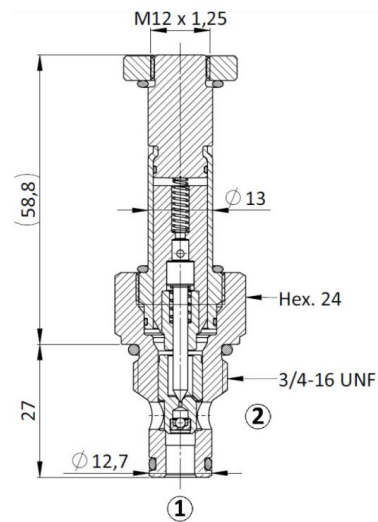
N.O. ASS. CODE 7	N.O. + Emergency ASS. CODE 10
-------------------------------	--



SYMBOL

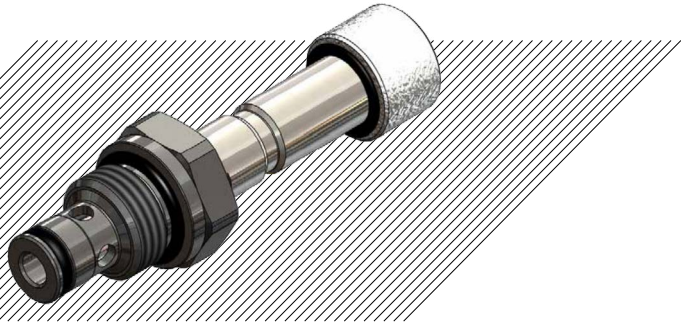


SAE Cartridge - 350 bar
NO Single Lock Pilot Operated
Poppet Type

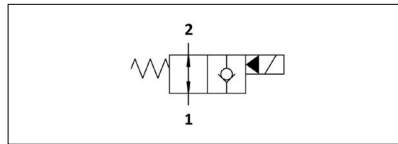


GROUPS K0, K1

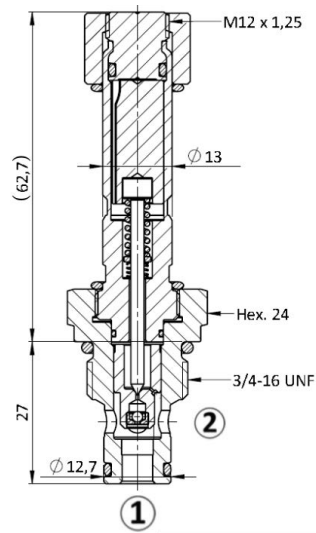
N.C.	N.C. + Emergency
ASS. CODE	ASS. CODE
8	9




SYMBOL



SAE Cartridge - 350 bar
NC Single Lock Pilot Operated
Poppet Type



SOLENOIDS 2/2 GROUPS K0, K1				
Reference	Type	Q (l/m)	Max P (bar)	
VNKPP050601	N.C.	40	350	3/4 UNF
VNKPP050602	N.O.	40	350	3/4 UNF
VNKPP050603	N.O. + Emergency	40	350	3/4 UNF
VNKPP050604	N.C. + Emergency	40	350	3/4 UNF

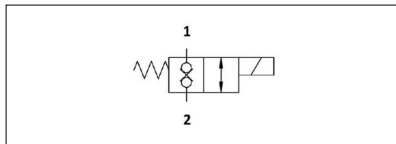


DOUBLE CHECK VALVE
With Emergency Groups K0, K1

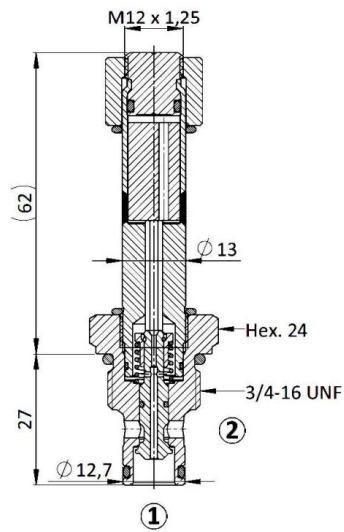
ASS. CODE
6



SYMBOL

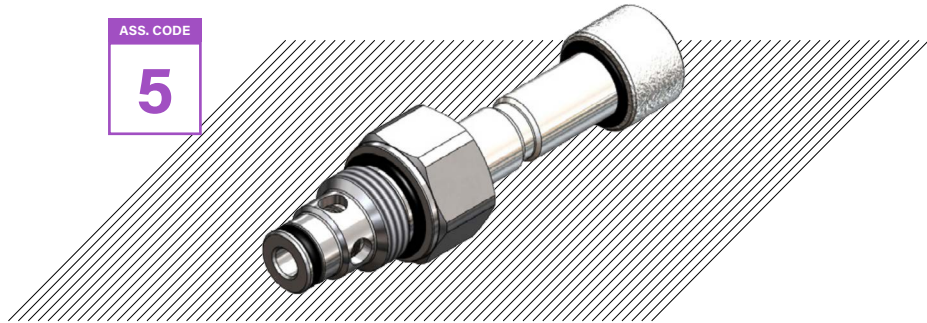


SAE Cartridge - 250 bar
NC Double Lock Pilot Acting
Poppet Type

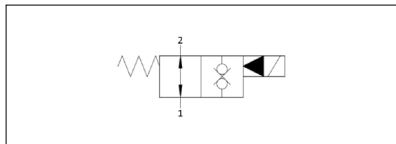


DOUBLE CHECK VALVE
With Emergency Groups K0, K1

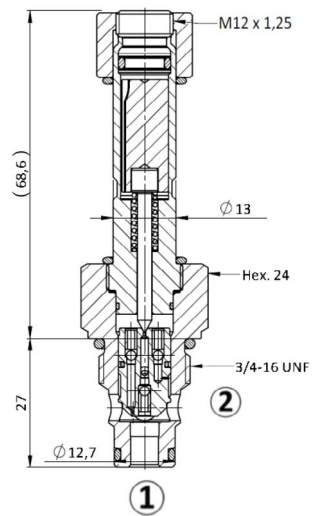
ASS. CODE
5




SYMBOL



SAE Cartridge - 350 bar
NO Double Lock Pilot Operated
Poppet Type



SOLENOIDS 2/2 DOUBLE CHECK W/EMERG. GROUPS KO, K1

Reference	Type	Q (l/m)	Max P (bar)	
VNKPP050605	N.C. + Emergency	15	250	3/4 UNF
VNKPP050606	N.O. + Emergency	40	350	3/4 UNF

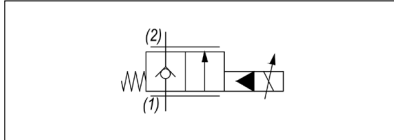


ASS. CODE

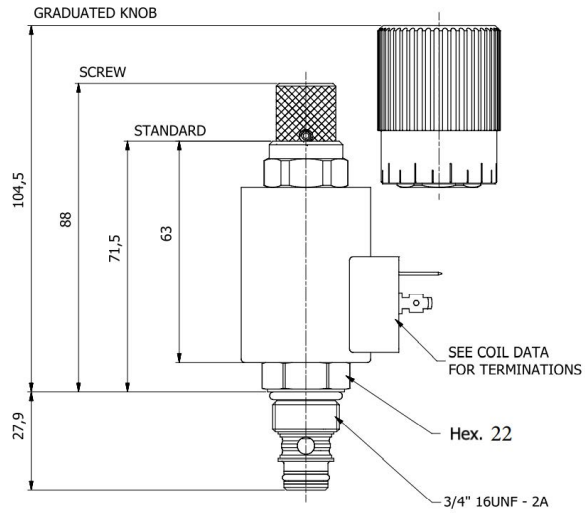
11

WITHOUT EMERGENCY
Groups K0, K1


SYMBOL



SAE Cartridge - 250 bar
NC Double Lock Pilot Acting
Poppet Type



SOLENOIDS 2/2 PROPORTIONAL W/O EMERG. GROUPS K0, K1

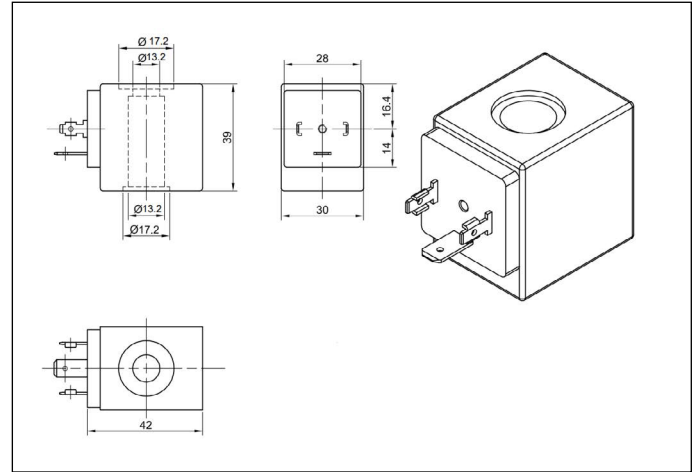
Reference	Type	Q (l/m)	Voltage	
VNKPP050701	N.C.	25	12 dc	3/4 UNF
VNKPP050702	N.O.	25	24 dc	3/4 UNF



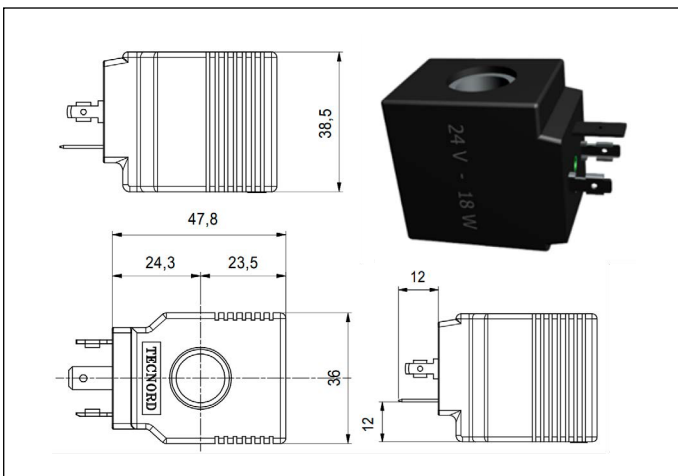
COIL

Groups K0, K1

VNKPP05080x



VNKPP05080x



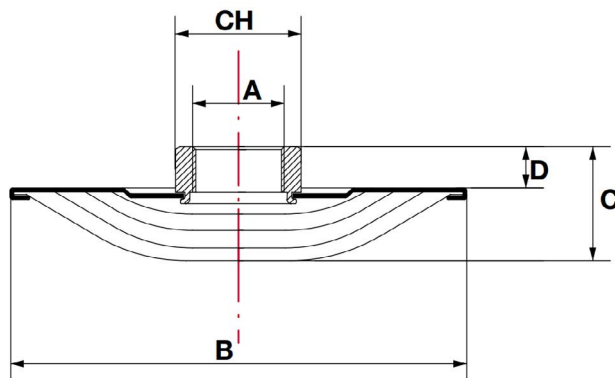
COIL. GROUPS K0, K1			
Reference	Ø	Watt	Voltage
VNKPP050801	13	18	12 DC
VNKPP050802	13	18	24 DC
VNKPP050804	13	18	110 RAC
VNKPP050804	13	18	220 RAC
VNKPP050901	13	22	12 DC
VNKPP050902	13	22	24 DC
VNKPP050903	13	22	26 DC
VNKPP050904	13	22	110 RAC
VNKPP050905	13	22	220 RAC



FILTERS

Groups K0, K1

Suction Filters Groups K0, K1

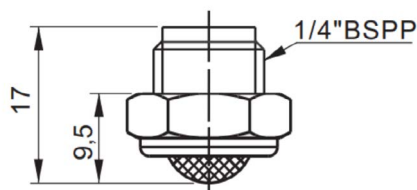


Reference	A (mm)	B (mm)	C (mm)	D (mm)	CH (mm)	Filtering Surface (cm ²)	Flow (l/min)
VNKPP060101	3/8	63	20	8	22	120	13
VNKPP060102	3/8	80	21	7	22	100	14

VNKPP060103

Relief valve return filter

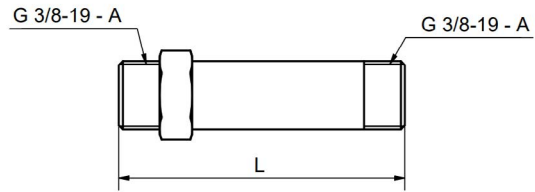
To be mounted in cavity Tr



It reduces foam and noise when relief valve is laminating.
Recommended for all vertical mounting tanks.



Suction Tube
Groups K0, K1

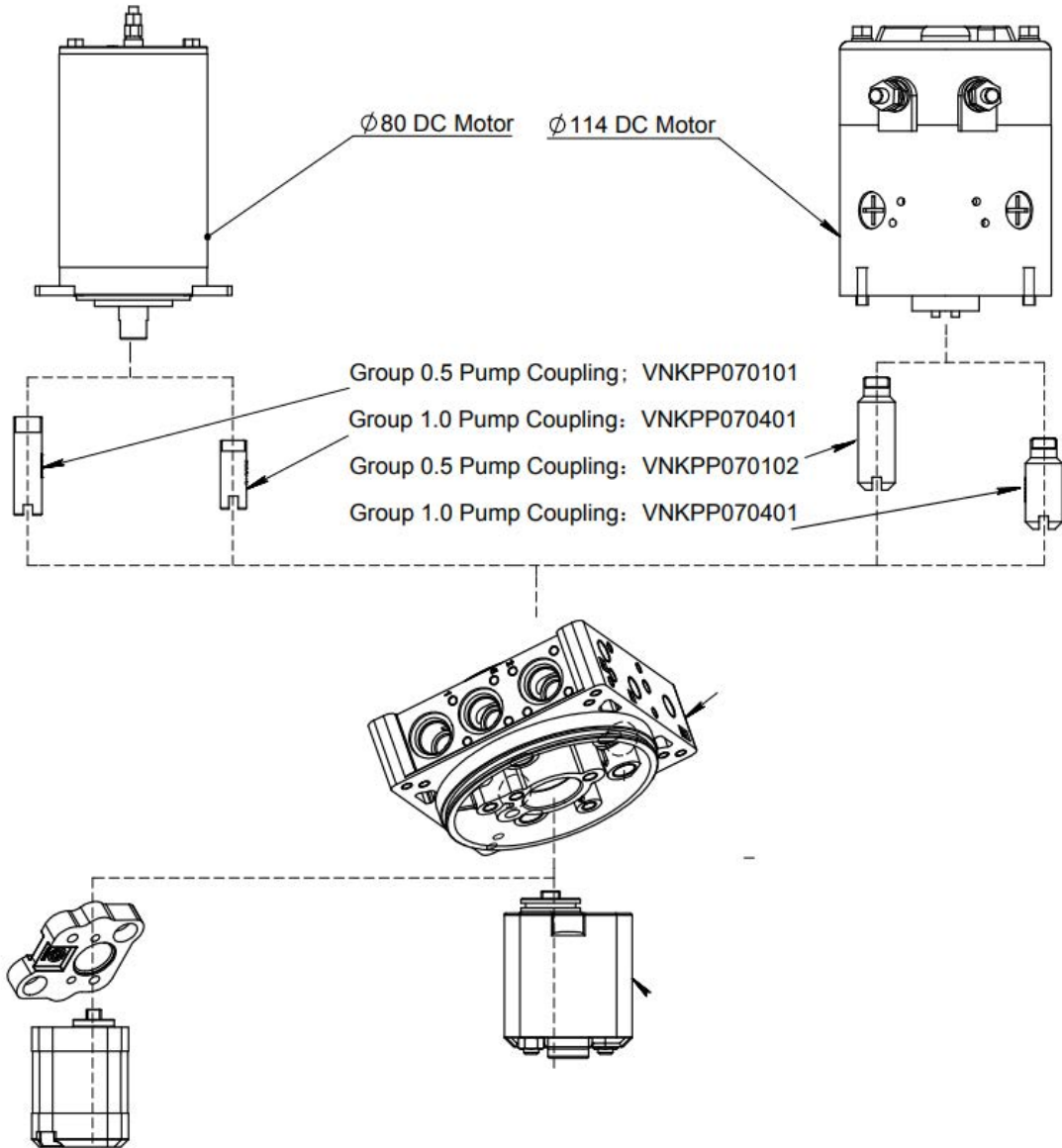


SUCTION TUBE GROUP K1			
Reference	L (mm)	Reference	L (mm)
VNKPP060301	35	VNKPP060307	175
VNKPP060302	70	VNKPP060308	205
VNKPP0603013	80	VNKPP060309	240
VNKPP060304	100	VNKPP060310	315
VNKPP060305	130	VNKPP060311	400
VNKPP060306	160		

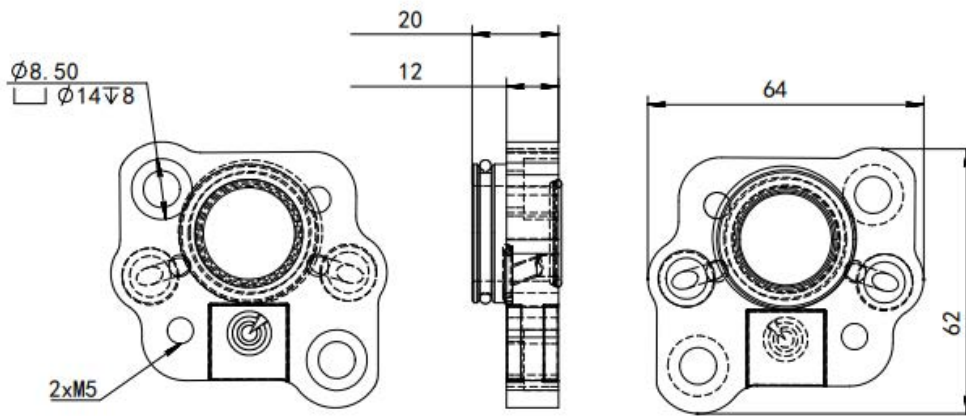
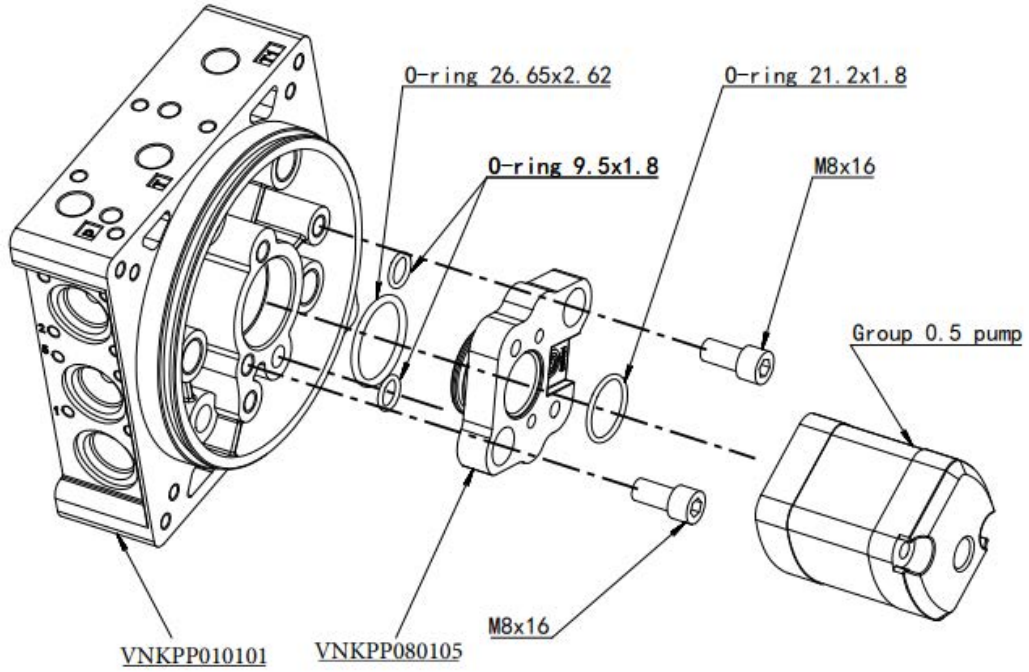


COUPLINGS

DC motors pumps assembly guide



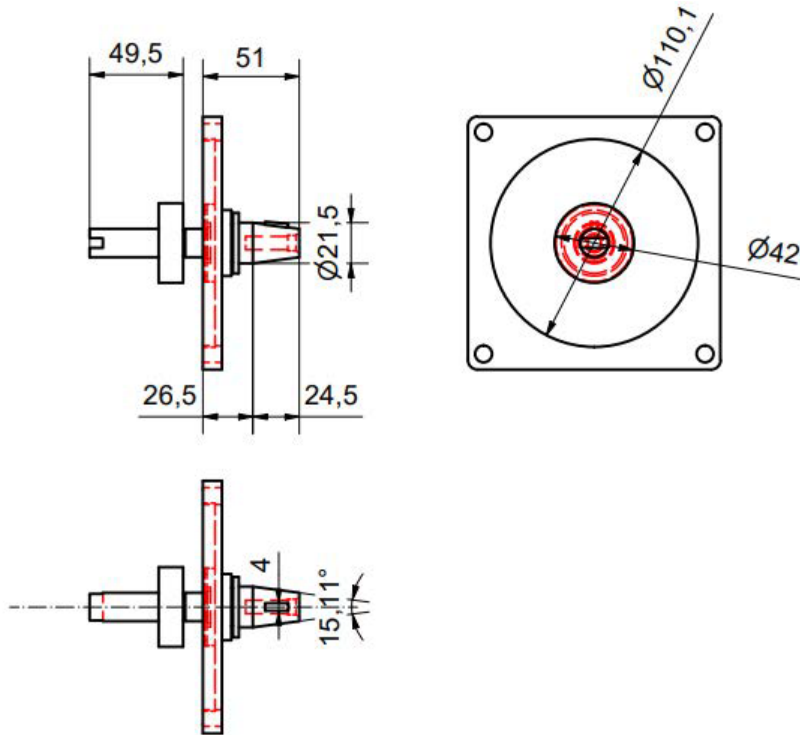
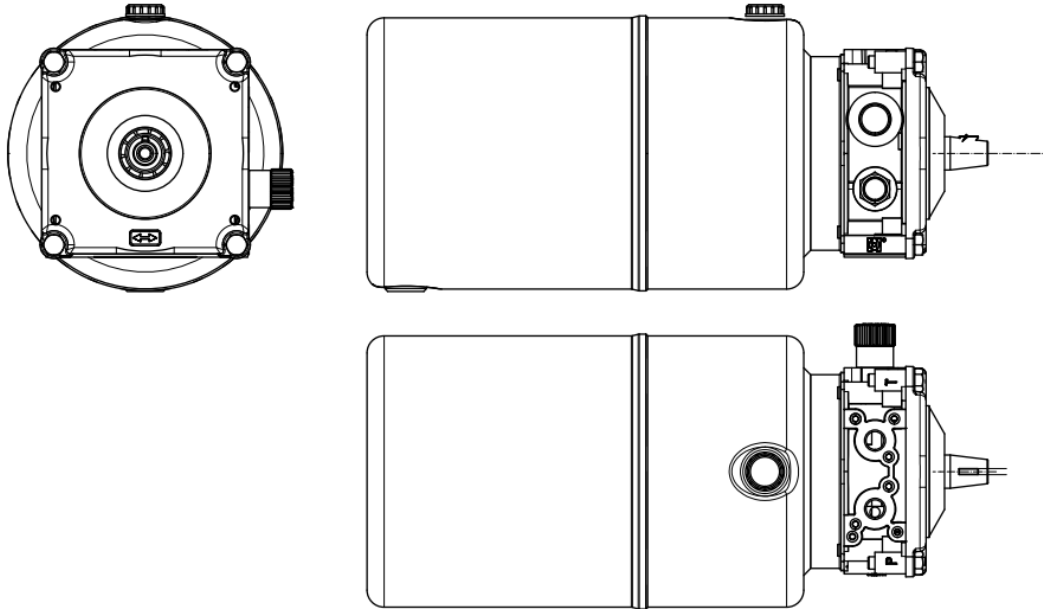
Manifold and group 0.5 pump assembly



Model	Weight/kg
VNKPP080106	0.07

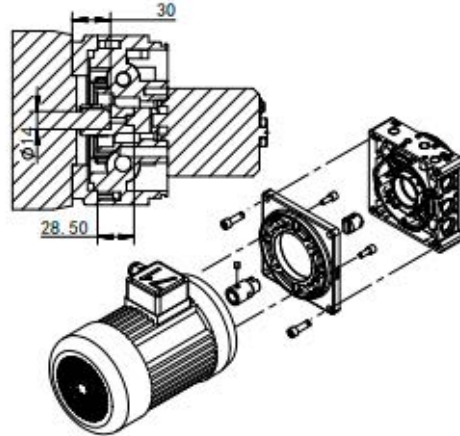


COUPLING PULLEY



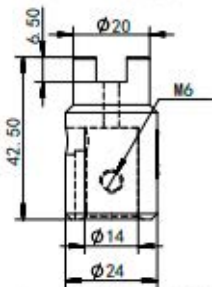
Coupling T-71

MOUNTING KIT FOR FRAME 71 B14 AC MOTORS

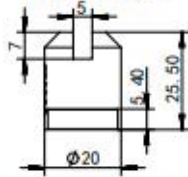


Couplings

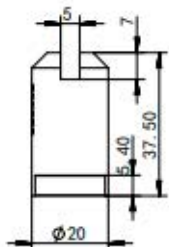
Motor Side
VNKPP070502



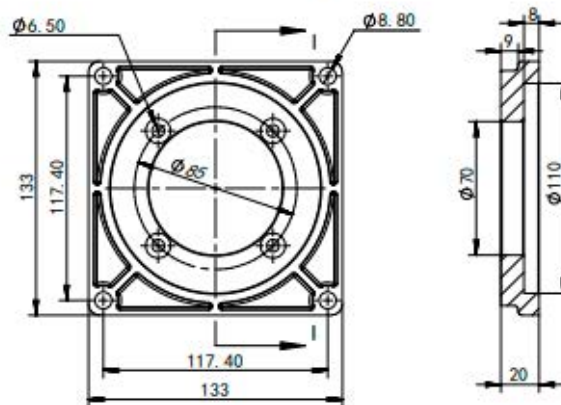
Group 1.0 Pump Side
VNKPP070501



Group 0.5 Pump Side
VNKPP070103



Aluminum Flange: VNKPP080202

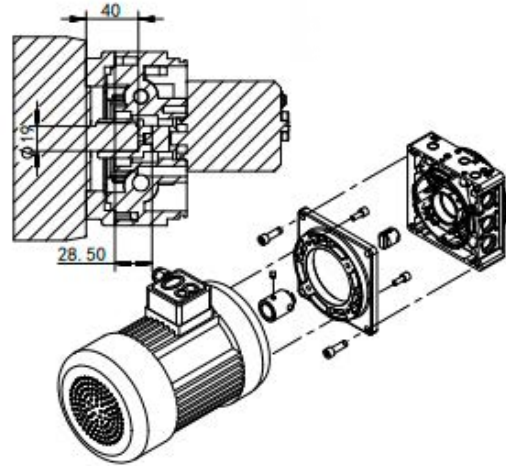


Description	Part Number	Weight (kg)
Motor Side Coupling	VNKPP070502	0.095
Group 0.5 Pump Side Coupling	VNKPP070103	0.080
Group 1.0 Pump Side Coupling	VNKPP070501	0.050
Aluminium Flange	VNKPP080202	0.30
Motor Flange Assembly Screw	4X DIN 912 M6X16	0.030
Manifold Flange Assembly Screw	4X DIN 912 M8X25	0.060
Coupling Screw	DIN 912 M6X8	-



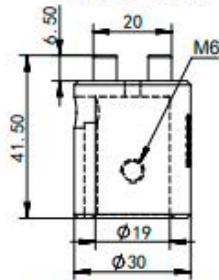
Coupling T-80

MOUNTING KIT FOR FRAME 80 B14 AC MOTORS

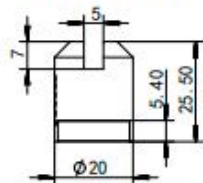


Couplings

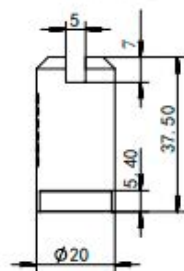
Motor Side
VNKPP070503



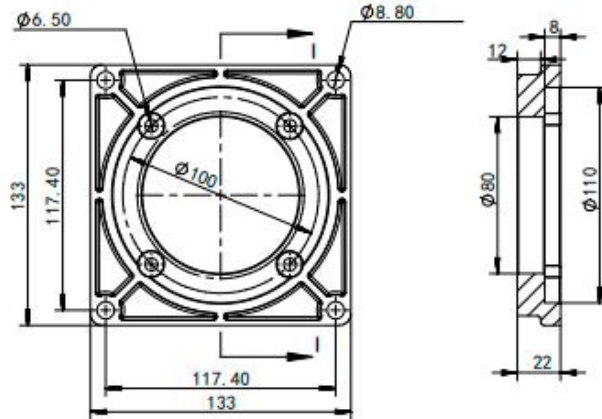
Group 1.0 Pump Side
VNKPP070501



Group 0.5 Pump Side
VNKPP070103



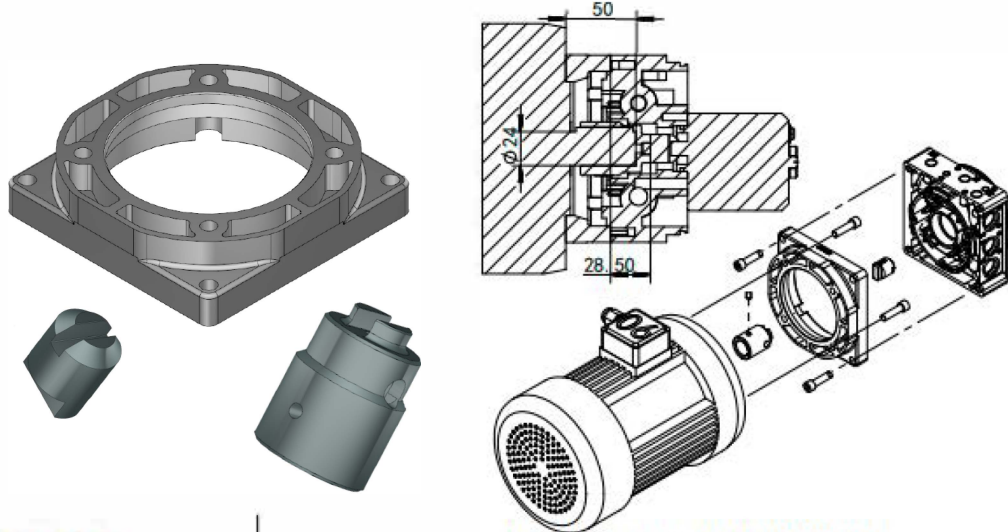
Aluminum Flange: VNKPP080203



Description	Part Number	Weight (kg)
Motor Side Coupling	VNKPP070503	0.125
Group 0.5 Pump Side Coupling	VNKPP070103	0.080
Group 1.0 Pump Side Coupling	VNKPP070501	0.050
Aluminium Flange	VNKPP080203	0.310
Motor Flange Assembly Screw	4X DIN 912 M6X16	0.030
Manifold Flange Assembly Screw	4X DIN 912 M8X25	0.060
Coupling Screw	M6X8	-

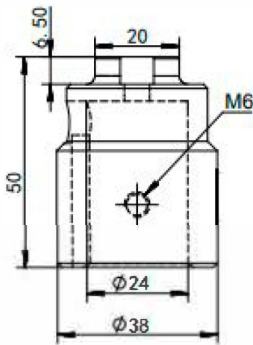


Coupling T-90

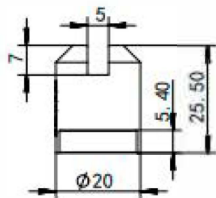


Couplings

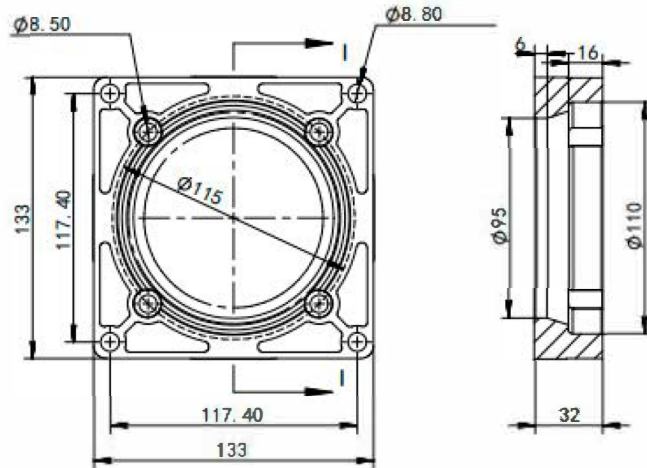
Motor Side
VNKPP070504



Group 1.0 Pump Side
VNKPP070501



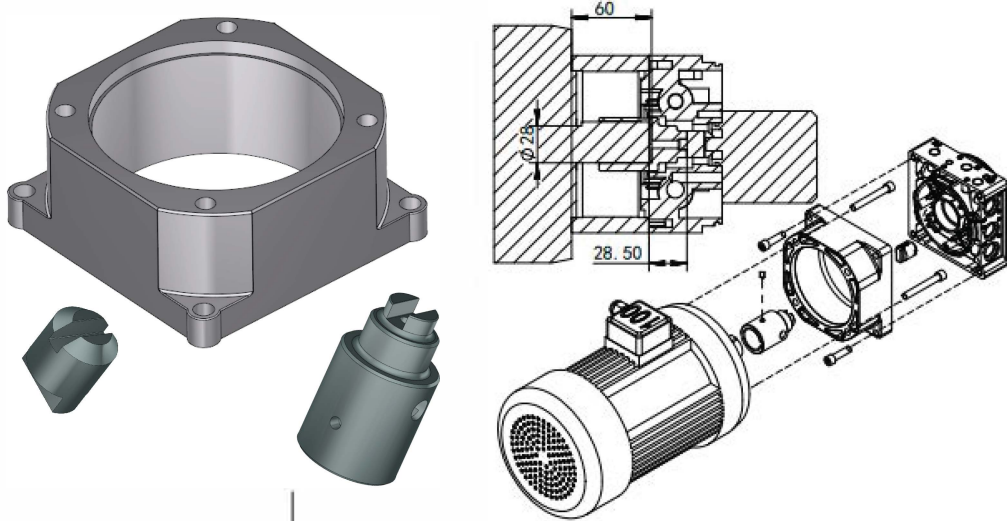
Aluminum Flange: VNKPP080204



Description	Part Number	Weight (kg)
Motor Side Coupling	VNKPP070504	0.220
Group 1.0 Pump Side Coupling	VNKPP070501	0.050
Aluminium Flange	VNKPP080204	0.390
Motor Flange Assembly Screw	4X DIN 912 M8X16	0.050
Manifold Flange Assembly Screw	4X DIN 912 M8X30	0.065
Coupling Screw	DIN 912 M6X8	-

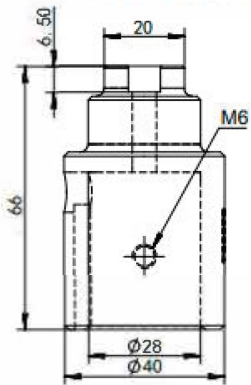


Coupling T-100/112

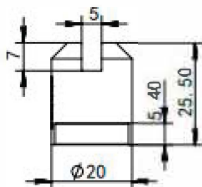


Couplings

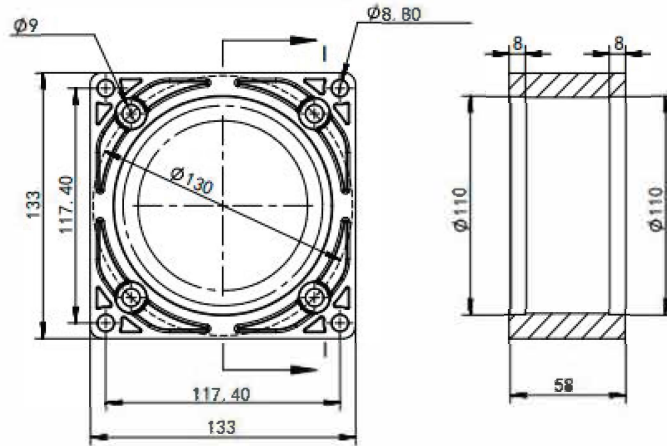
Motor Side
VNKPP070505



Group 1.0 Pump Side
VNKPP070501



Aluminum Flange: VNKPP080205



Description	Part Number	Weight (kg)
Motor Side Coupling	VNKPP070504	0.310
Group 1.0 Pump Side Coupling	VNKPP070501	0.050
Aluminium Flange	VNKPP070204	0.700
Motor Flange Assembly Screw	4X DIN 912 M8X55	0.125
Manifold Flange Assembly Screw	4X DIN 912 M8X30	0.065
Coupling Screw	DINM6X8	-

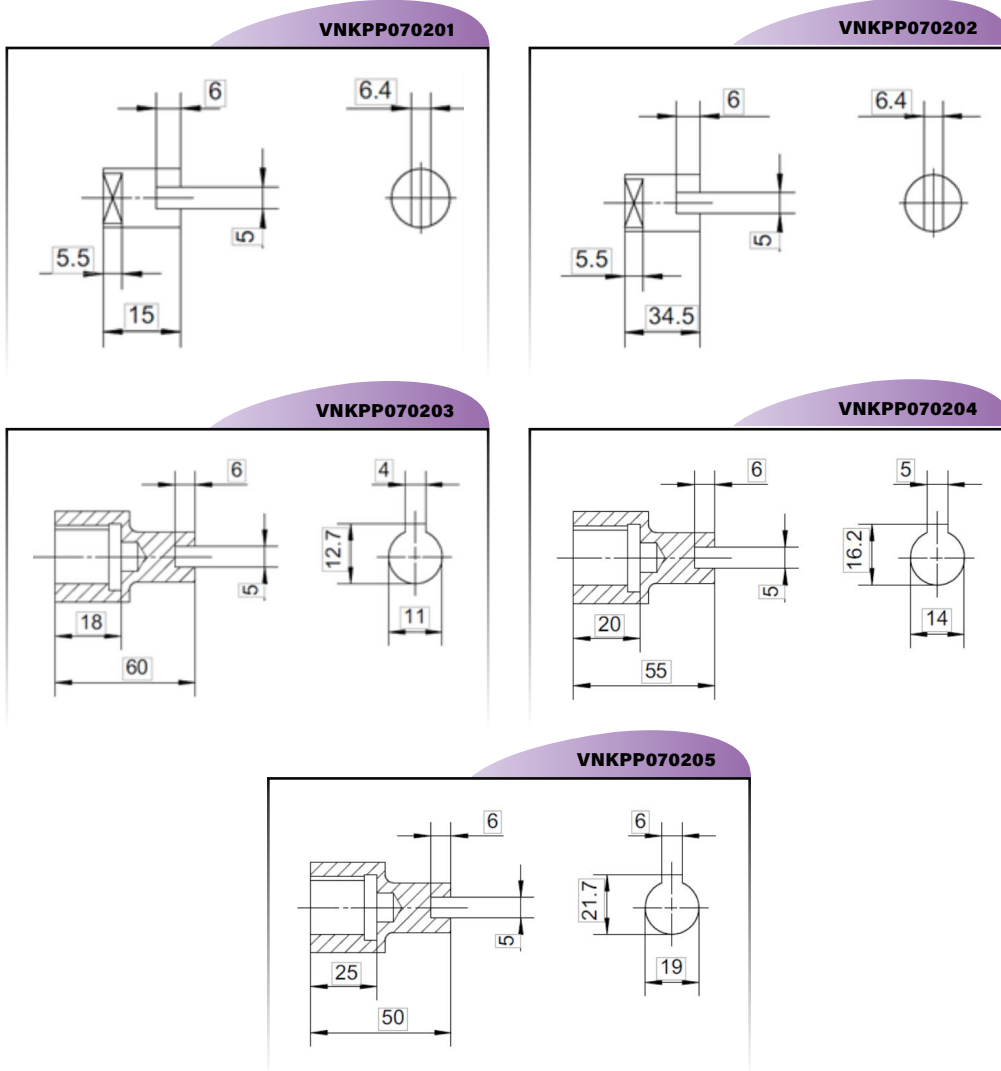


COUPLINGS GROUP K1

Reference	Type	Range (bar)
VNKPP070401	T-80 DC	-
VNKPP070402	T-112 DC	-
VNKPP070501	T-71...T-112 AC Pump	-
VNKPP070502	T-71	0.33...0.5 CV
VNKPP070503	T-80	0.75...1 CV
VNKPP070504	T-90	1.5...2 CV
VNKPP070505	T-100...T-1125 AC	3...5.5 CV



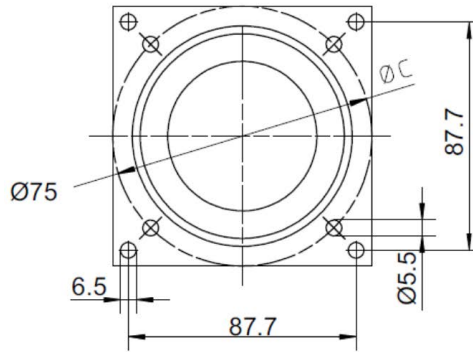
Couplings and Flanges group K0



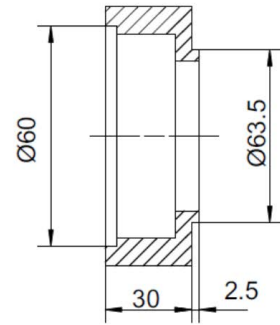
COUPLING GROUP K0		
Reference	Type	Range
VNKPP070201	T-80 DC	-
VNKPP070202	T-112 DC	-
VNKPP070203	T-63 AC	0.16...0.25CV
VNKPP070204	T-71 AC	0.33...0.5 CV
VNKPP070205	T-80 AC	0.75...1 CV



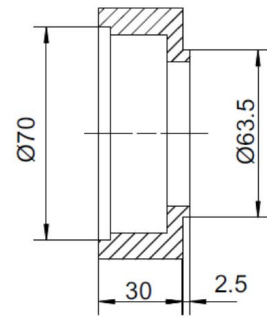
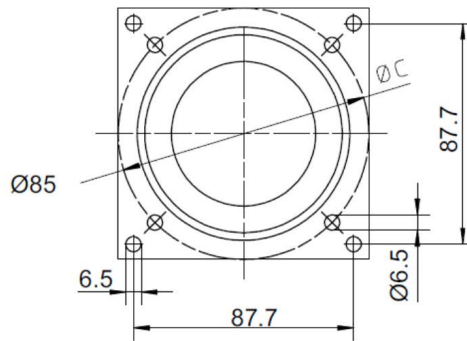
Flanges group K0



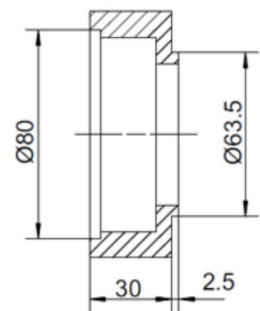
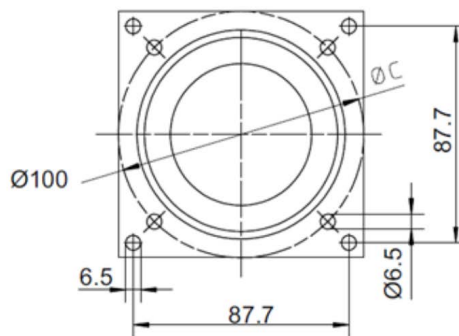
VNKPP080102



VNKPP080103

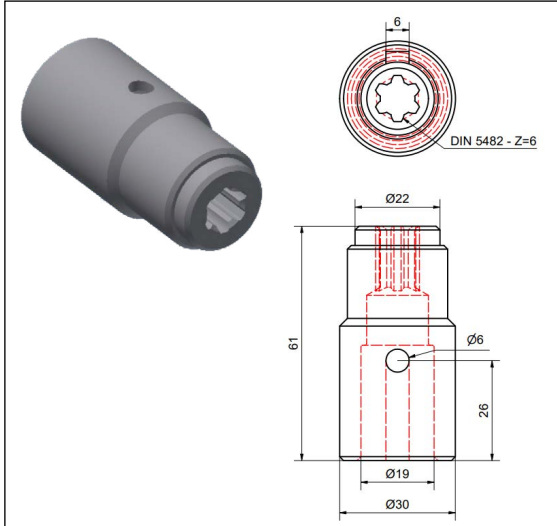


VNKPP080104

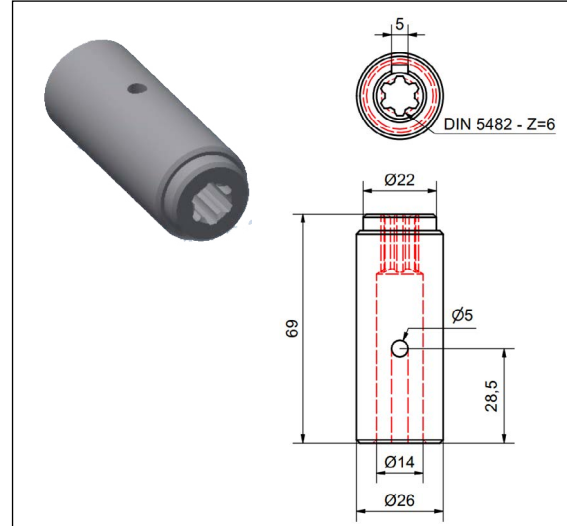


Couplings Splined group K1

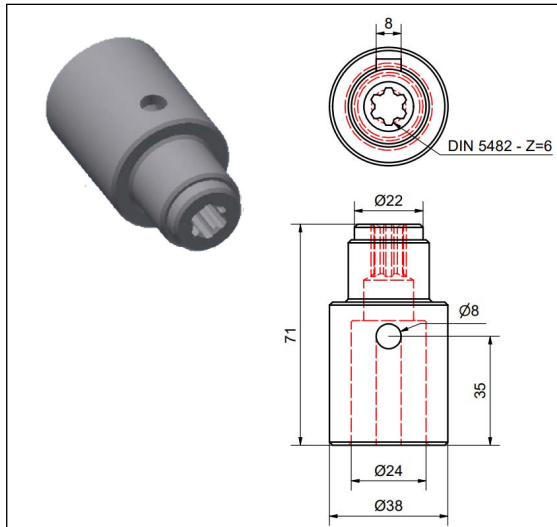
VNKPP070506



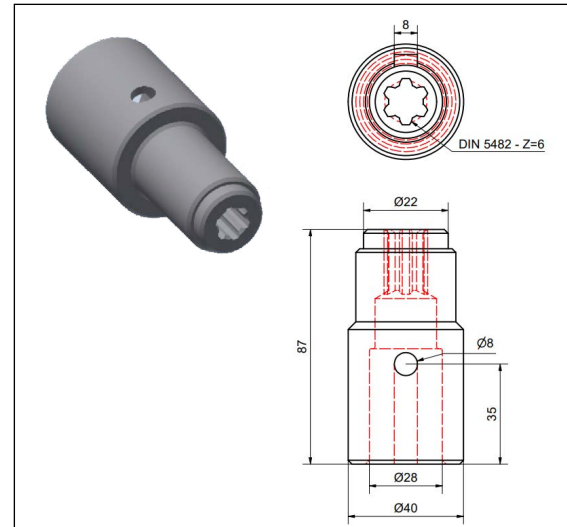
VNKPP070507



VNKPP070508



VNKPP070509



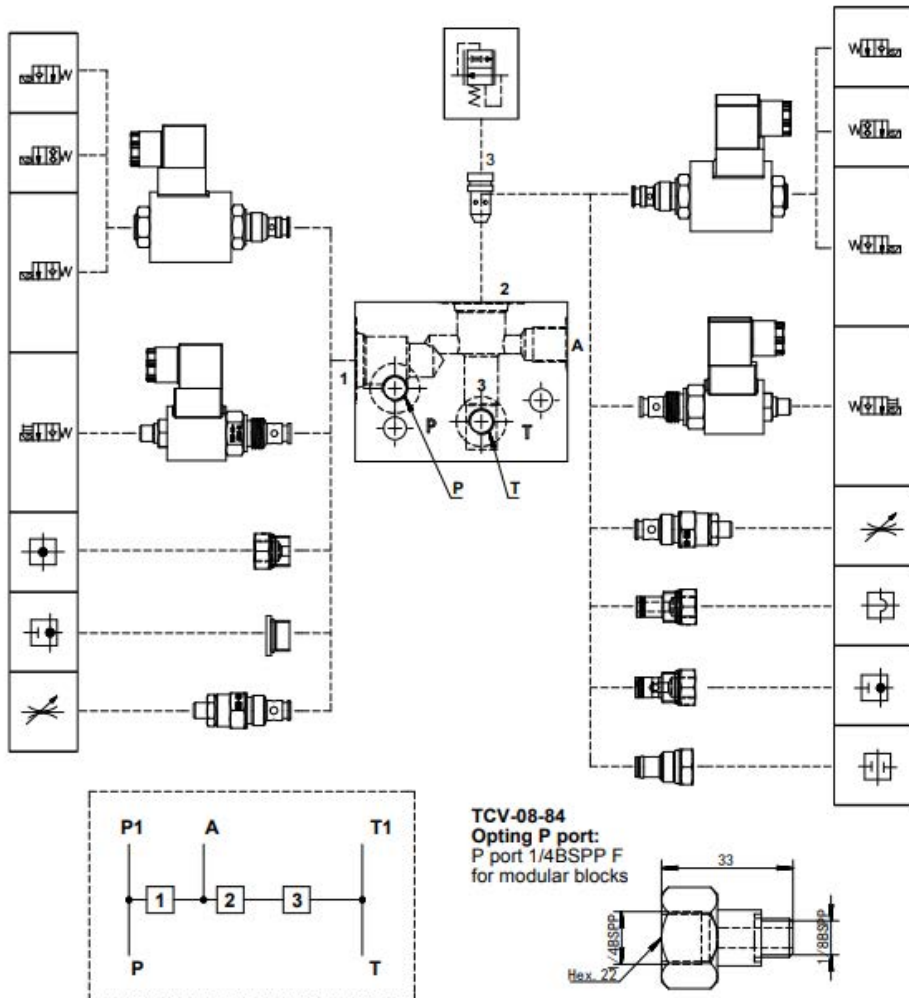
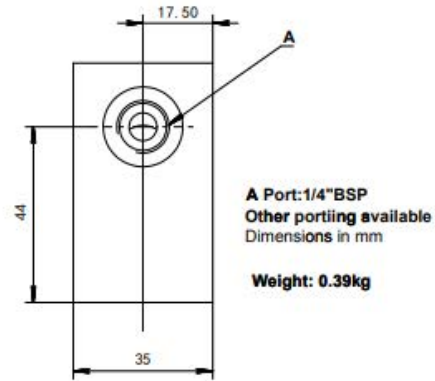
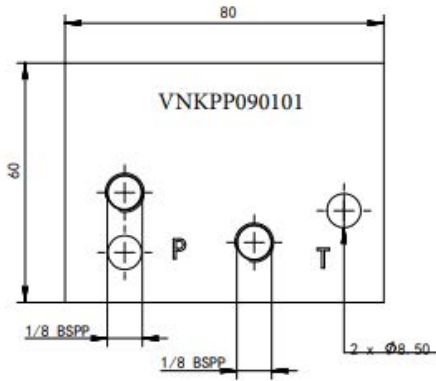
COUPLING SPLINED GROUP K1

Reference	Type	Range
VNKPP070506	T-71 AC	0.33...0.5 CV
VNKPP070507	T-80 AC	0.75...1 CV
VNKPP070508	T-90 AC	1.5...2CV
VNKPP070509	T-100...T-112 AC	3...5.5 CV



BLOCKS

Manifold block assembly



Block types

ORDER CODE	DESCRIPTION	SYMBOL	DIMENSIONS
VNKPP090108	NG6(CETOP3) Modular Manifolds, Series connection Lateral Ports		<p>P T Port: 1/8"BSPP A B Port: 3/8"BSPP Other porting is available</p> <p>Weight: 0.60kg</p> <p>Dimensions in mm</p>
VNKPP090105	Modular Manifold for 3/4-16 UNF Cartridges, Two Way, Two Position		<p>P T Port: 1/8"BSPP P1 C1 Port: 1/4"BSPP C2 Port: 3/8"BSPP Other porting is available</p> <p>Weight: 0.42kg</p> <p>Dimensions in mm]</p>
VNKPP090106	Motor Side 90° Rotation Manifold		<p>P T Port: 1/8"BSPP P1 T1 Port: 1/4"BSPP</p> <p>Weight: 0.44kg</p> <p>Dimensions in mm</p>

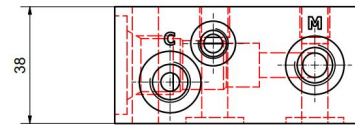
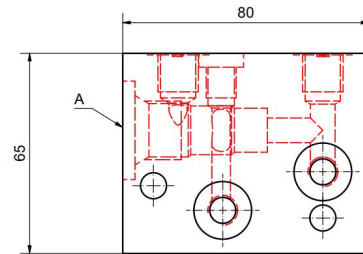
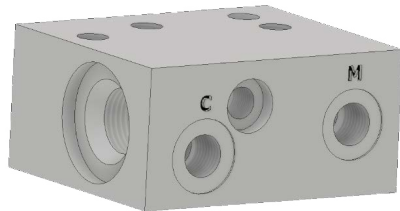


ORDER CODE	DESCRIPTION	SYMBOL	DIMENSIONS
VNKPP090107	Motor Side 90° Rotation Manifold		<p>P T Port: 1/8"BSPP P1 T1 Port: 1/4"BSPP Weight: 0.44kg Dimensions in mm</p>
VNKPP090113	Spacer Manifold Adapter		<p>Weight: 0.25kg Dimensions in mm</p>
VNKPP090109	NG6(CETOP3) Modular Manifolds Parallel Connection Rear Ports		<p>P T Port: 1/8"BSPP A B Port: 3/8"BSPP Other porting is available Dimensions in mm Weight: 0.58kg</p>
VNKPP090114	NG6(CETOP3) Modular Manifolds Parallel Connection Lateral Ports		<p>P T Port: 1/8"BSPP A B Port: 3/8"BSPP Other porting is available Dimensions in mm Weight: 0.58kg</p>



Block piloted valve

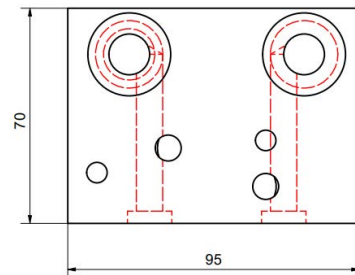
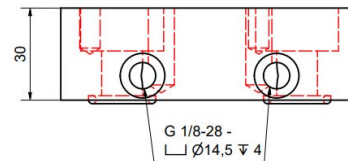
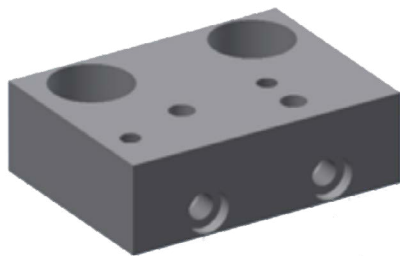
VNKPP090116



A Cavity: 3/4" UNF
 C, M Port: 1/4" BSP

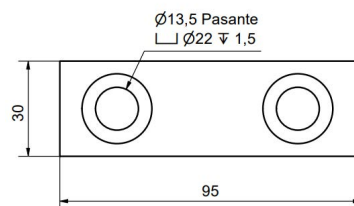
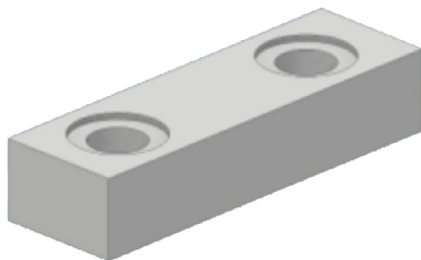
Converter block K0/K1

VNKPP090001



Space block K0

VNKPP090003



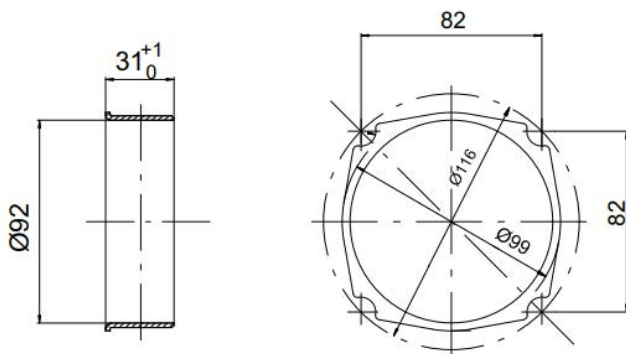
NECK FOR TANKS

GROUPS K0/K1

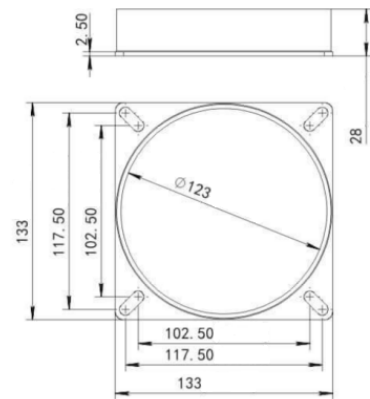


Reference	Dimensions (mm)	Type
VNKPP100101	92x31	K0
VNKPP100102	123x25	K1

VNKPP100101



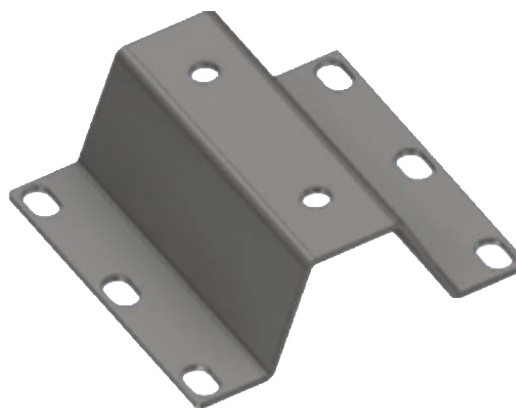
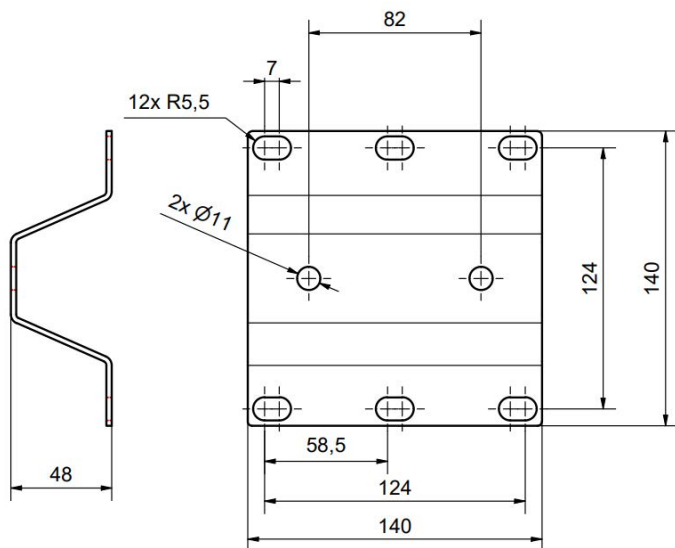
VNKPP100102



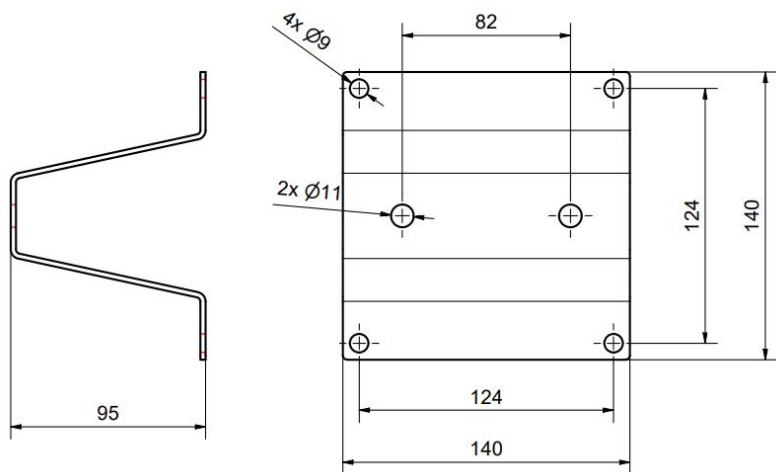
FIXING SUPPORT

GROUPS K0/K1

VNKPP100103



VNKPP100104



Reference	Dimensions (mm)	Type
VNKPP100103	140X48	VPP-1
VNKPP100104	140X95	VPP-2



VALVE SOFT-START

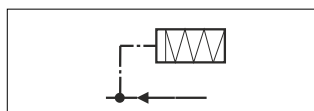
GROUP K1

ASS. CODE

23



SYMBOL



MAIN FEATURES

Max pressure	300 bar
Max flow	22 l/min
Min flow	2 l/min
Weight	0,0025 kg

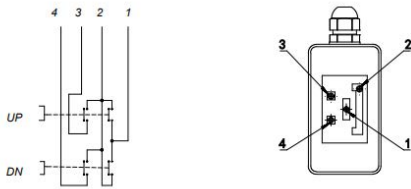
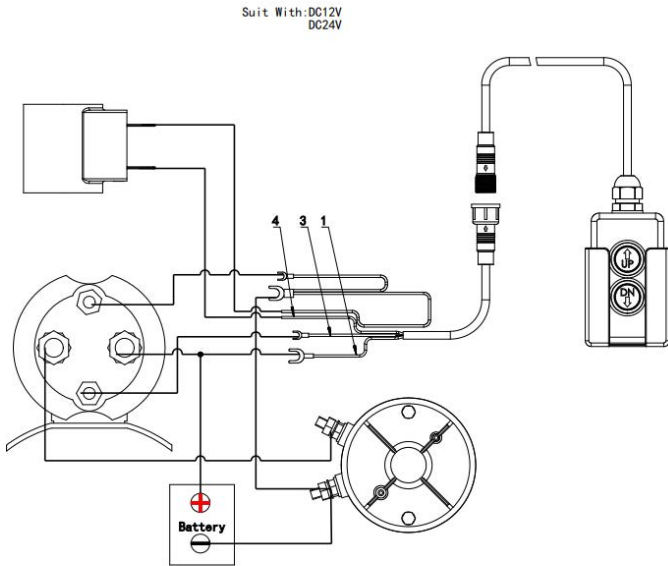
SOFT-START Group K1

Reference	l/m
VNKPP100105	2-3
VNKPP100106	3-5
VNKPP100107	5-9
VNKPP100108	6-12
VNKPP100109	11-19

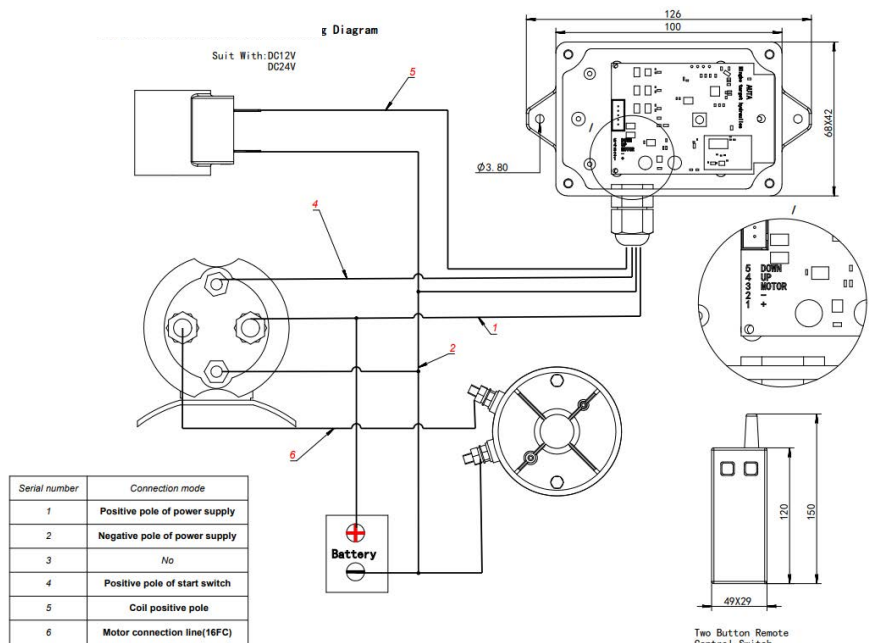


REMOTE CONTROL

Single action switch diagram

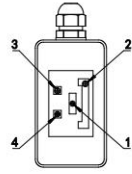
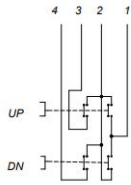
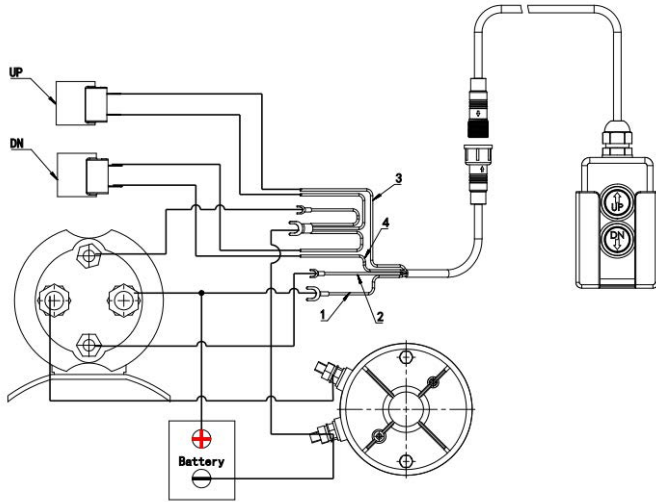


Single action wireless remote diagram



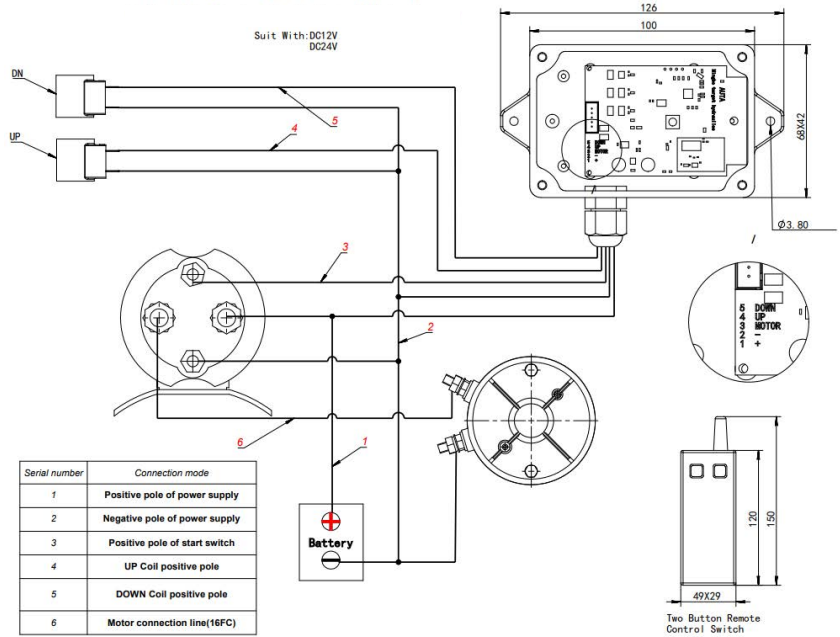
Double action switch diagram

Suit With: DC12V
DC24V



Double action wireless remote diagram

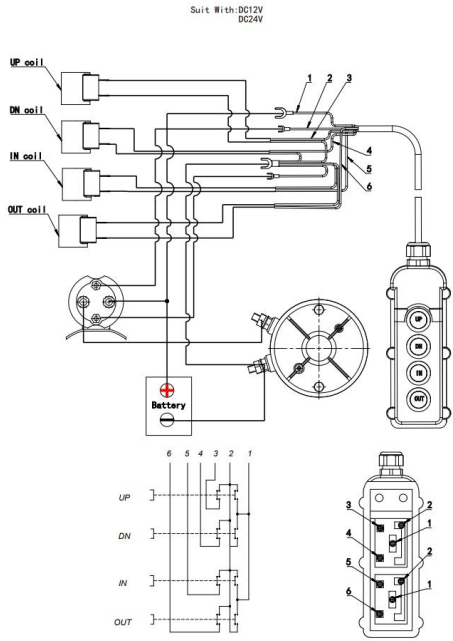
Suit With: DC12V
DC24V



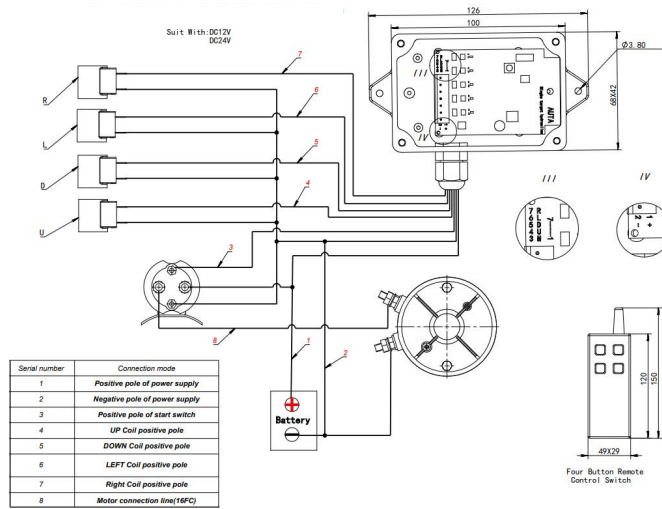
Two Button Remote Control Switch



Four buttons double action switch diagram



Four buttons double action wireless remote diagram



REMOTE CONTROL

Reference	Type	N° of buttons	Length. (mm)
VNKPP100110	Single & Double action 1 cylinder	2	3000
VNKPP100111	Single & Double action 2 cylinder	4	3000
VNKPP100200	Single action Wireless	2	Wireless
VNKPP100201	Double action Wireless	2	Wireless
VNKPP100202	Single & Double action Wireless	4	Wireless



RUBBER FITTING

GROUPS K0, K1



Rubber fitting			
Reference	Type	N° of buttons	Long.
VNKPP100110	S & D action 1 cylinder	2	3000
VNKPP100111	S & D action 2 cylinder	4	3000



HIDROSUR

www.hidrosursl.es
+34 954 40 22 78
comercial@hidrosursl.es